

CONTACTOR RELAY WIRING

Written for range models manufactured from 2000 to 2010 (Gen. 2).

Ranges produced between 2000 and 2010 will have one contactor relay (GE Brand) for each [non-switchable] oven and only the L1 element wires are routed through the relay on static-mode models. Convection (CT) mode models should have both L1 & L2 element wires routed through the relay. Multiple L1 wires are connected to the **overlimit switch**.

Static Mode Relay

Inputs:

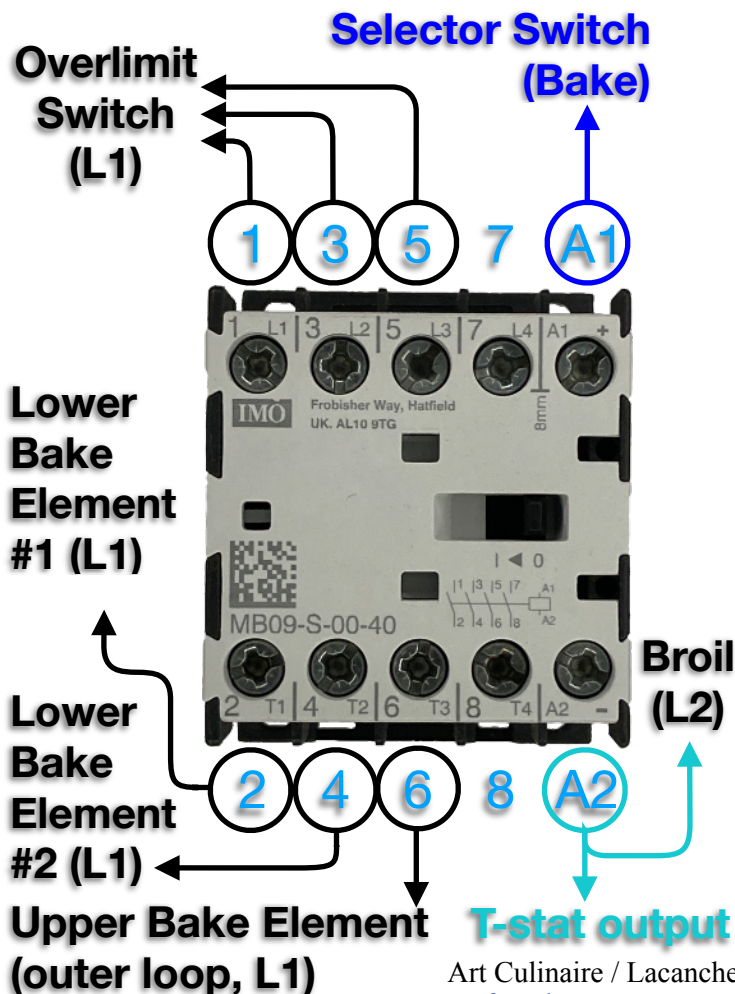
- 1 (L1) - L1 from Overlimit Switch
- 3 (L2) - L1 from Overlimit Switch
- 5 (L3) - L1 from Overlimit Switch
- 7 (L4) - (Blank)

A1(+) - Terminal #1 on Selector Switch

Outputs:

- 2 (T1) - #1 Bottom Bake Element L1 Side
- 4 (T2) - #2 Bottom Bake Element L1 Side
- 6 (T3) - Upper Bake Element L1 Side
- 8 (T4) - (Blank)

A2 (-) - Thermostat Output / Broil Element L2 Side



CT Mode Relay

Inputs:

- 1 (L1) - L1 from Overlimit Switch
- 3 (L2) - L1 from Overlimit Switch
- 5 (L3) - L2 from main Terminal Block
- 7 (L4) - L2 from main Terminal Block

A1(+) - Bake Terminal on Selector Switch

Outputs:

- 2 (T1) - #1 CT Element L1 Side
- 4 (T2) - #2 CT Element L1 Side
- 6 (T3) - #2 CT Element L2 Side
- 8 (T4) - #1 CT Element L2 Side

A2 (-) - Thermostat Output / Broil Element L2 Side

