



Notices Range Hoods 03/2023

Models

LH900 - LH1100 - LH 1200 - LH1300
LH1600 - LH1700 - LH2000 - LH2400





MANUAL

03/2023

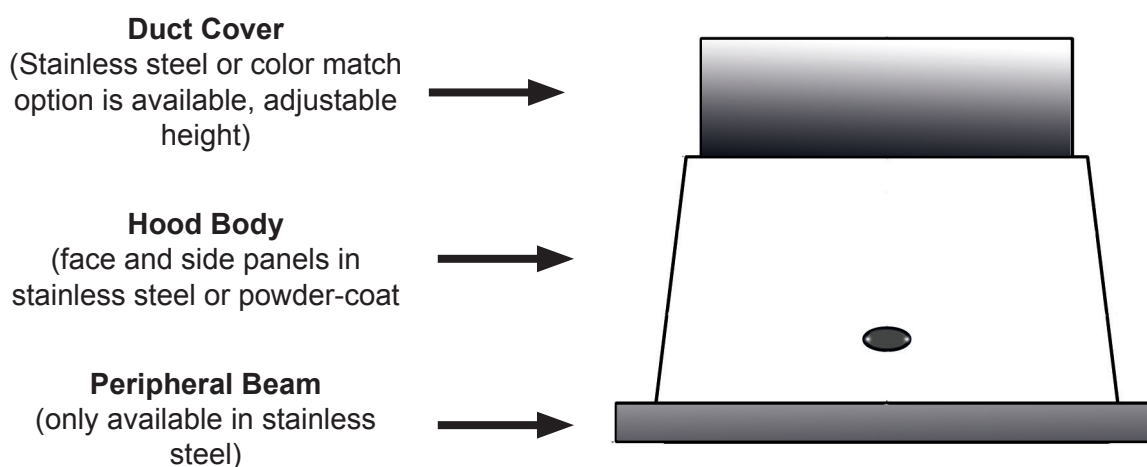


TABLE OF CONTENTS

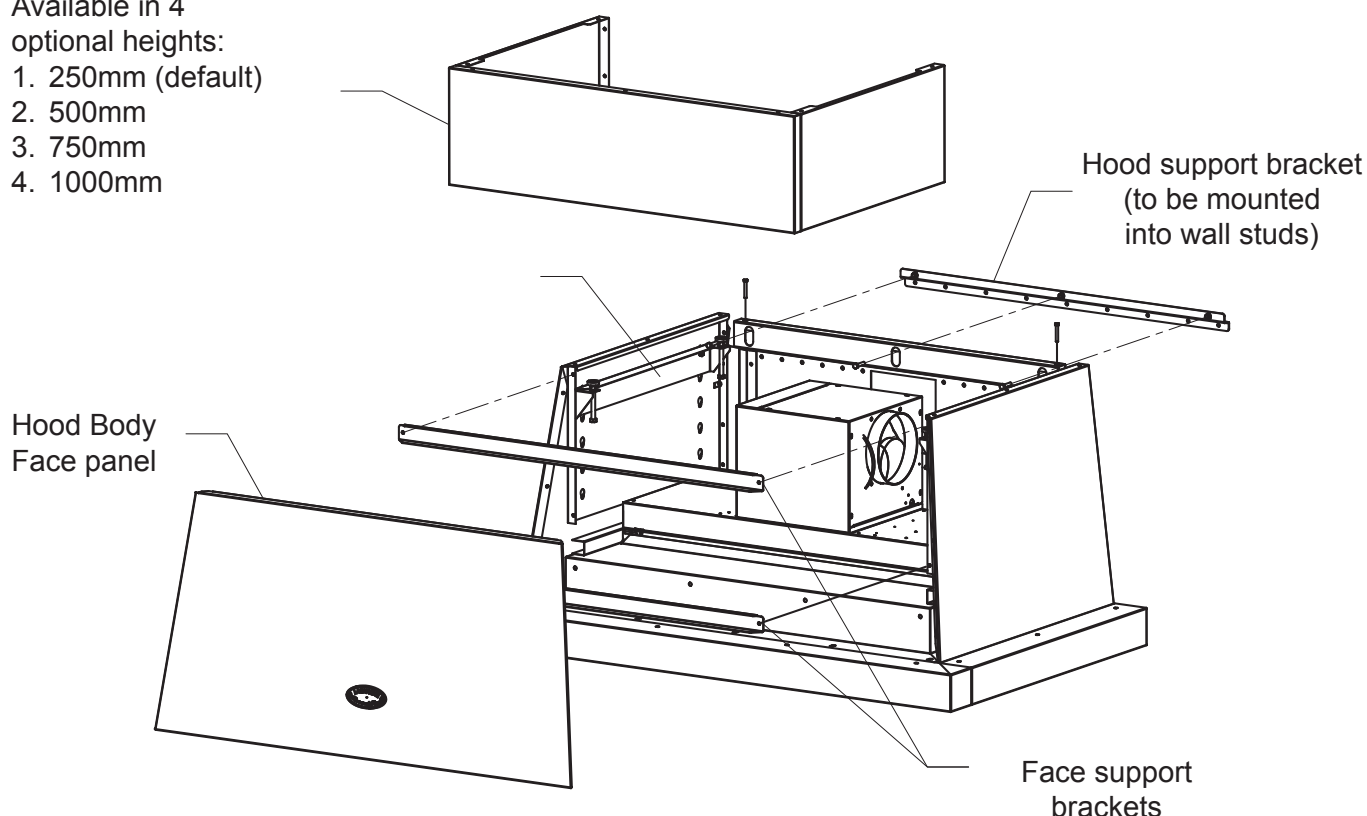
OVERVIEW MANUAL	7 to 12
OVERVIEW	7
CAUTIONS	
SHIPPING AND UNPACKING	8
RECOMMENDATIONS	9
FRONT VIEW	10
MEASUREMENTS	11 to 17
INSTALLATION MANUAL	19 to 32
PREPARING THE WALL	21
PREPARING THE HOOD FOR MOUNTING	22 to 23
PLACING THE SUPPORT BRACKETS ON THE WALL	24
HANGING THE HOOD TO THE WALL BRACKETS	25 to 26
INSTALLING THE MOTOR / BLOWER INSERTS	27
MOUNTING THE DUCT COVER	28 to 29
MOUNTING THE FACE PANEL	30
MOUNTING THE TRIM PANELS	31
ELECTRICAL AND HVAC	31
USER'S MANUAL	33 to 36
USER'S MANUAL	35
CLEANING AND MAINTENANCE	36

OVERVIEW:

- Lacanche hoods are designed to harmonize with the aesthetics of the «Classic» and «Modern» ranges and deliver optimum performance.
- Lacanche hoods are designed for external discharge, through an exhaust duct, of odors and cooking vapors.
- They are made from a galvanized sheet metal frame.
- Exterior panels are made of sheet steel coated with Lacanche powder-coated finish, available with matching range color or stainless steel.
- The periphery beams, front and side, are made of stainless steel.
- The duct covers, also made of stainless steel (or a color-matched option is available), are adjustable in height (from 2 ½” to 39 3/8”), and allow, after installation, a homogeneous connection to the ceiling.



Duct Cover,
Available in 4
optional heights:
1. 250mm (default)
2. 500mm
3. 750mm
4. 1000mm





Appliances must be installed in a workmanlike manner in accordance with the instructions in this manual and locally applicable regulations.

This manual will be handed over to the user after installation.

CAUTION:

- The buyer agrees to install the appliance in accordance with recognised best practices and the regulations in force.
- Any technical operation such as installation, repair or adjustment of the appliance must be carried out by a qualified technician.

SHIPPING AND UNPACKING:

The appliance is delivered on a wooden pallet, packed with cardboard.

- Unpack and check the Hood is in good condition within 7-days of delivery. In case of damage, note any reservations on the Bill of Lading and notify the distributor within 48 hours by email (shipping@frenchranges.com) with confirmation of delivery to the carrier.
- To release the appliance from the pallet, use a 10 mm wrench or socket to remove the screws under the pallet.

RECOMMENDATIONS:

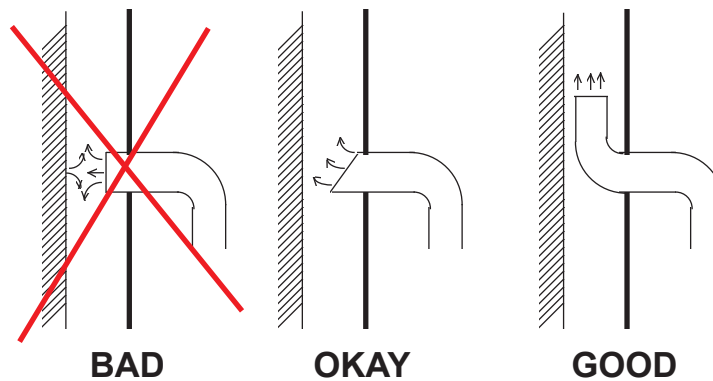
- Add structural blocking inside the wall to help support the weight of the hood. See Preparing the wall section below.
- Check hood overhead clearance.
- Install elbow over hood body when mounting a complete range hood connected to a wall exit.
- Do not connect exhaust duct to central ventilation system or service duct.
- Choose shortest and straightest pathway for exhaust duct.
- In case of insufficient air renewal (make-up-air) rate, blower may create low indoor pressure, causing up to 50% performance loss.
- Provide and install proper damper when connecting fan exhaust to wall exit.

VERY IMPORTANT!

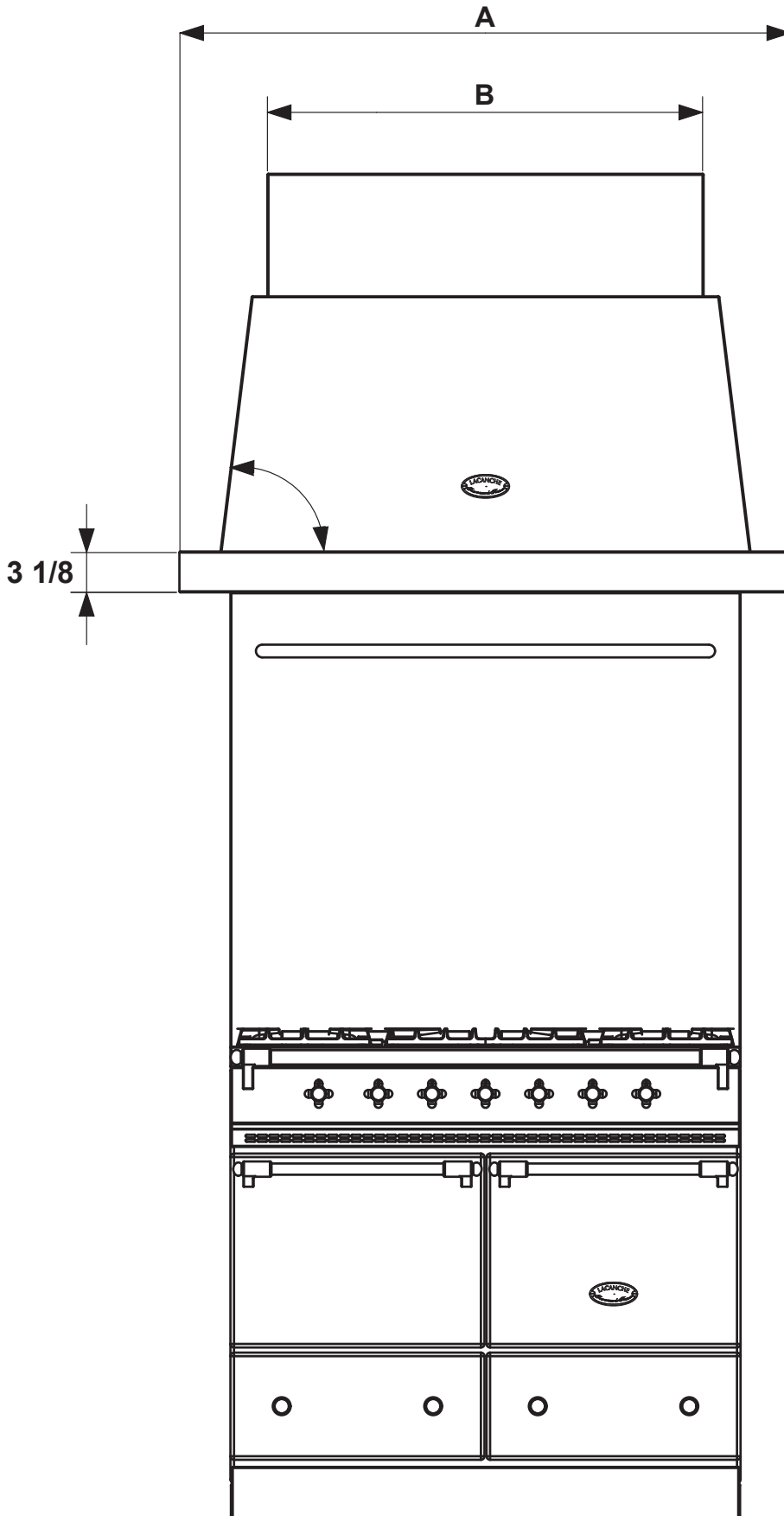
Duct installation details

LACANCHE range hoods install horizontally at a minimum distance above cooker of: 30” – 36” over range top.

- Range hood should be installed perfectly horizontal and cannot dip forward.
- Use aluminum duct and choose shortest and straightest pathway. Do not connect to smaller diameter duct, there should be no restrictions on the vented duct route from roof caps or exhaust screens.
- If adjustable or flexible ducting is used to route the exhaust flow into an existing chimney, make sure the duct tubing is routed upwards, and not perpendicular to the chimney rear wall as shown in the diagram below. This may restrict or impede the exhaust flow.

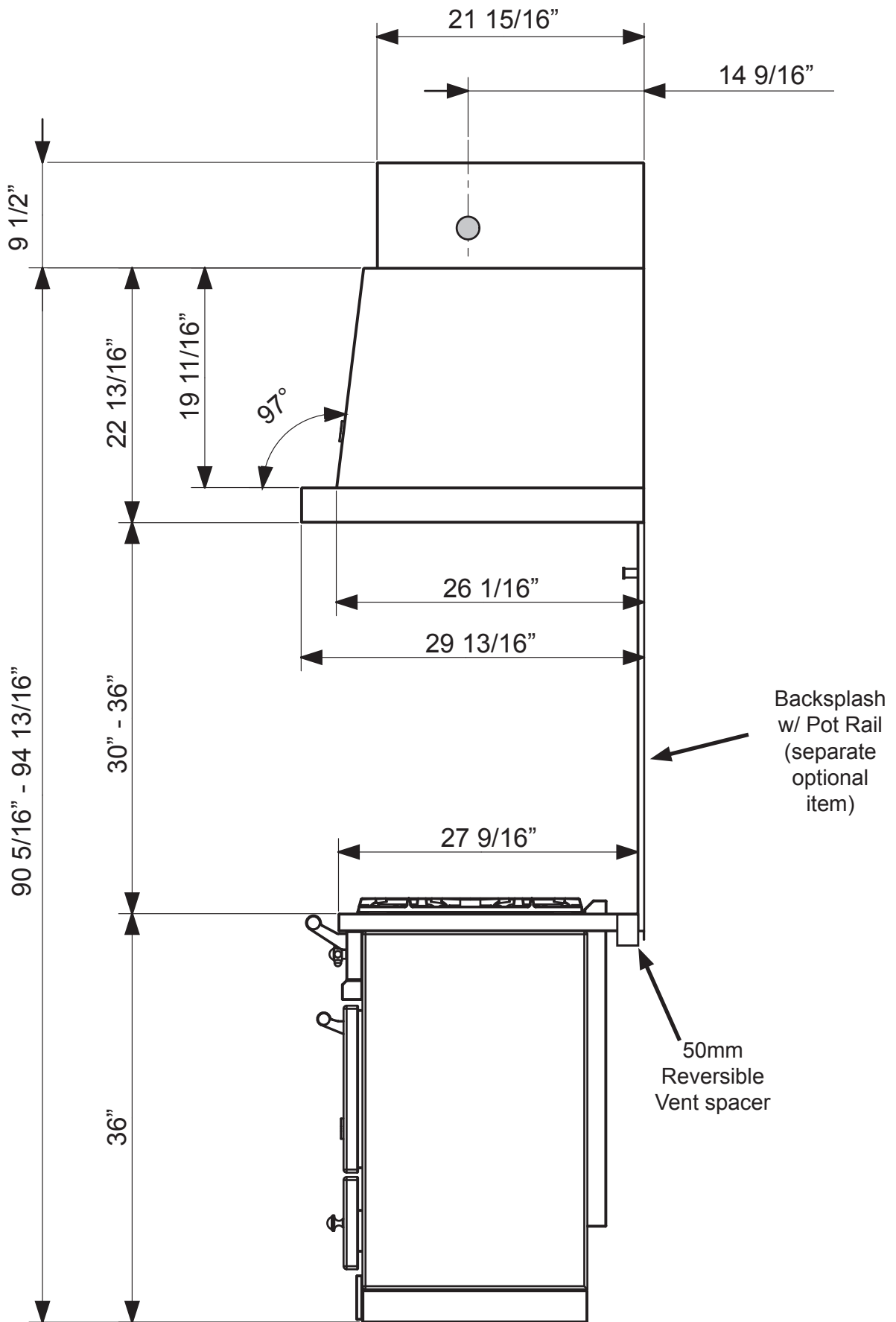


Front views (all models):



Model	A	B
LH900	35 7/16"	21 7/8"
LH1100	43 5/16"	29 3/4"
LH1200	47 1/4"	33 11/16"
LH1300	51 3/16"	37 5/8"
LH1600	63"	49 7/16"
LH1700	66 15/16"	53 3/8"
LH2000	78 3/4"	65 9/16"
LH2400	94 1/2"	80 15/16"

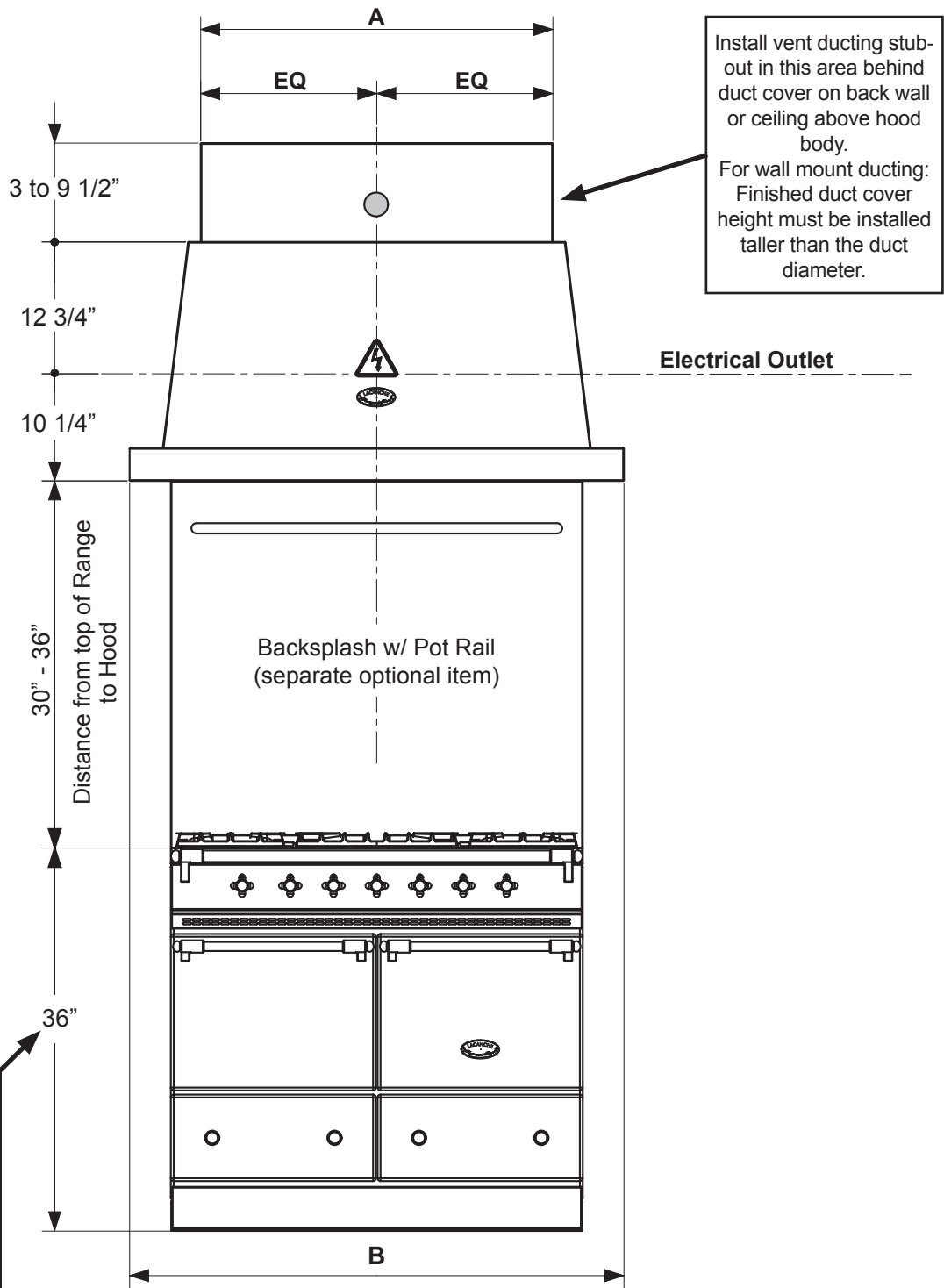
MEASUREMENTS:





Front views measurments:

LH900 - LH1100 - LH1200 – LH1300 – LH1600 – LH1700

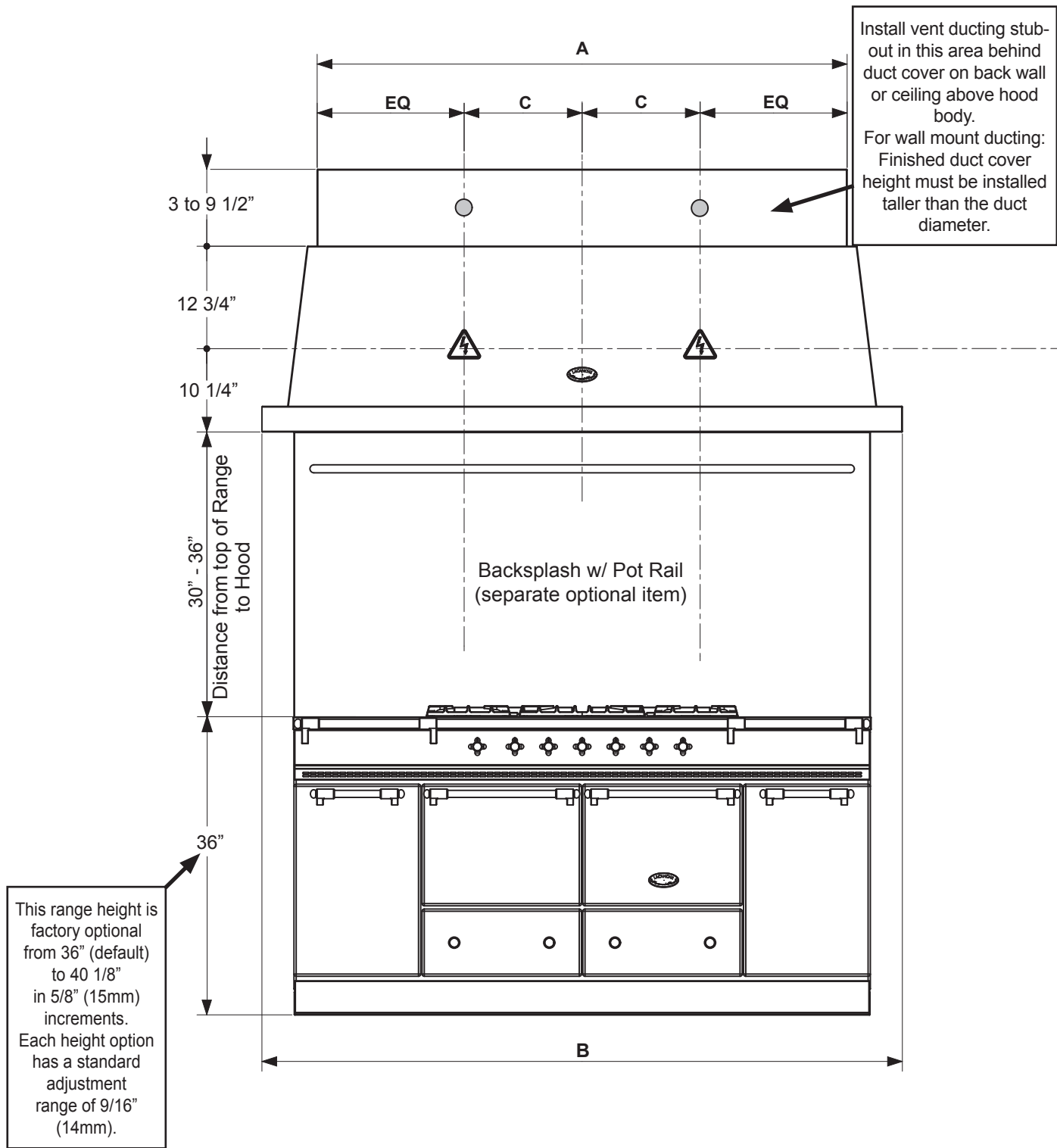


This range height is factory optional from 36" (default) to 40 1/8" in 5/8" (15mm) increments. Each height option has a standard adjustment range of 9/16" (14mm).

Model	Dimension A	Dimension B
LH900	21 7/8"	35 7/16"
LH1000	29 3/4"	43 5/16"
LH1200	33 11/16"	47 1/4"
LH1300	37 5/8"	51 3/16"
LH1600	49 7/16"	63"
LH1700	53 3/8"	66 15/16"

Front views measurments:

LH2000 – LH2400



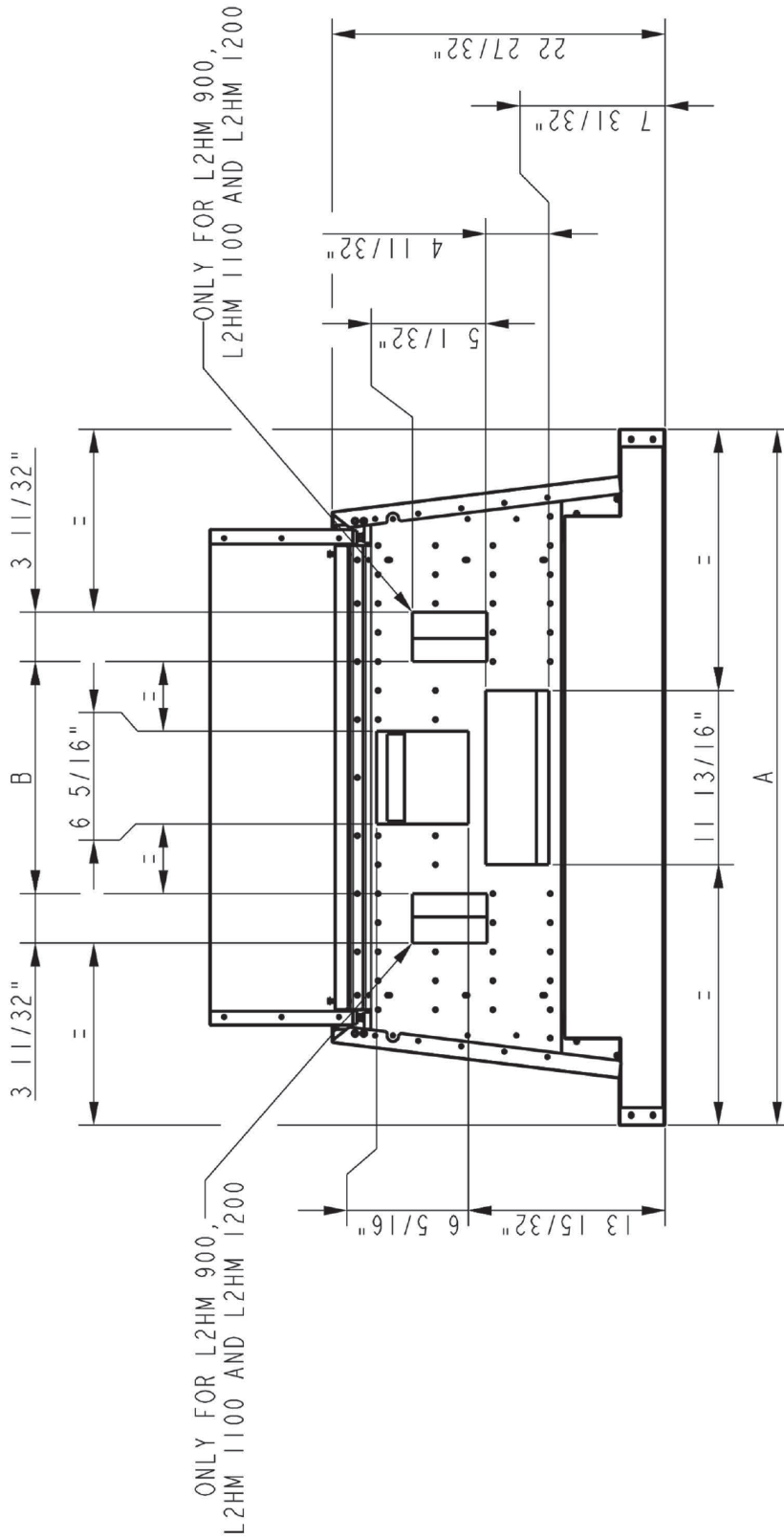
This range height is factory optional from 36" (default) to 40 1/8" in 5/8" (15mm) increments. Each height option has a standard adjustment range of 9/16" (14mm).

Model	Dimension A	Dimension B	Dimension C
LH2000	65 9/16"	78 3/4"	14 1/2"
LH2400	80 15/16"	94 1/2"	19 5/16"

Rear views measurments:

LH900 - LH1100 - LH1200 - LH1300 - LH1600 - LH1700

Locate the electrical outlet(s) inside these openings, or above the hood rear panel inside the duct cover:

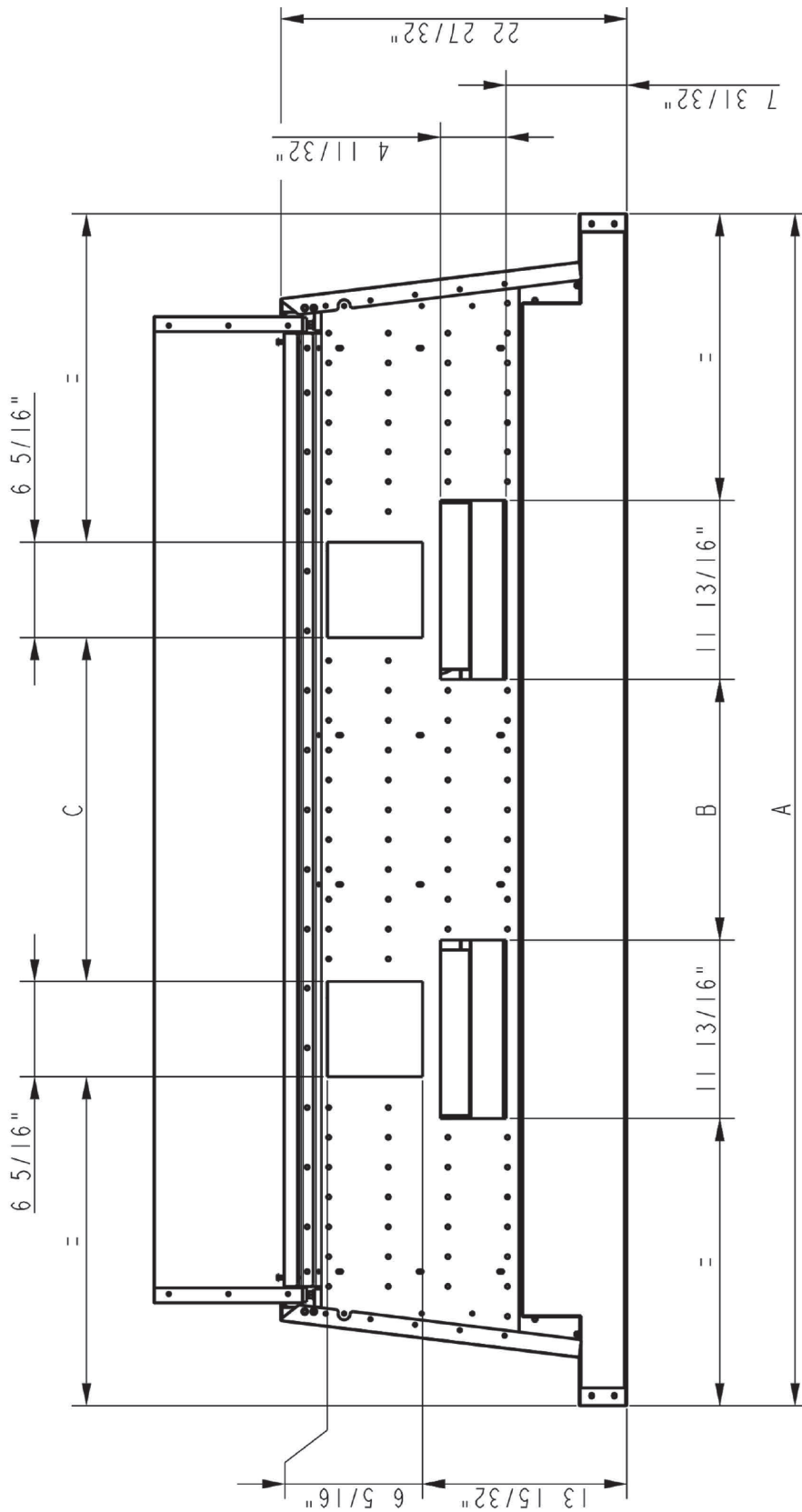


	L2HM 900	L2HM 1000	L2HM 1100	L2HM 1200	L2HM 1300	L2HM 1400	L2HM 1500	L2HM 1600	L2HM 1700
A	35 7/16"	39 3/8"	43 5/16"	47 1/4"	51 3/16"	55 1/8"	59 1/16"	63	66 15/16"
B	15 3/4"	-	15 3/4"	15 3/4"	-	-	-	-	-

Rear views measurments:

LH1800 - LH2000 - LH2200

Locate the electrical outlet(s) inside these openings, or above the hood rear panel inside the duct cover:



	L2HM 1800	L2HM 2000	L2HM 2100	L2HM 2200	L2HM 2400
A	70 7/8"	78 3/4"	82 11/16"	86 5/8"	94 1/2"
B	15 5/32"	17 3/16"	19 3/32"	23 1/32"	26 25/32"

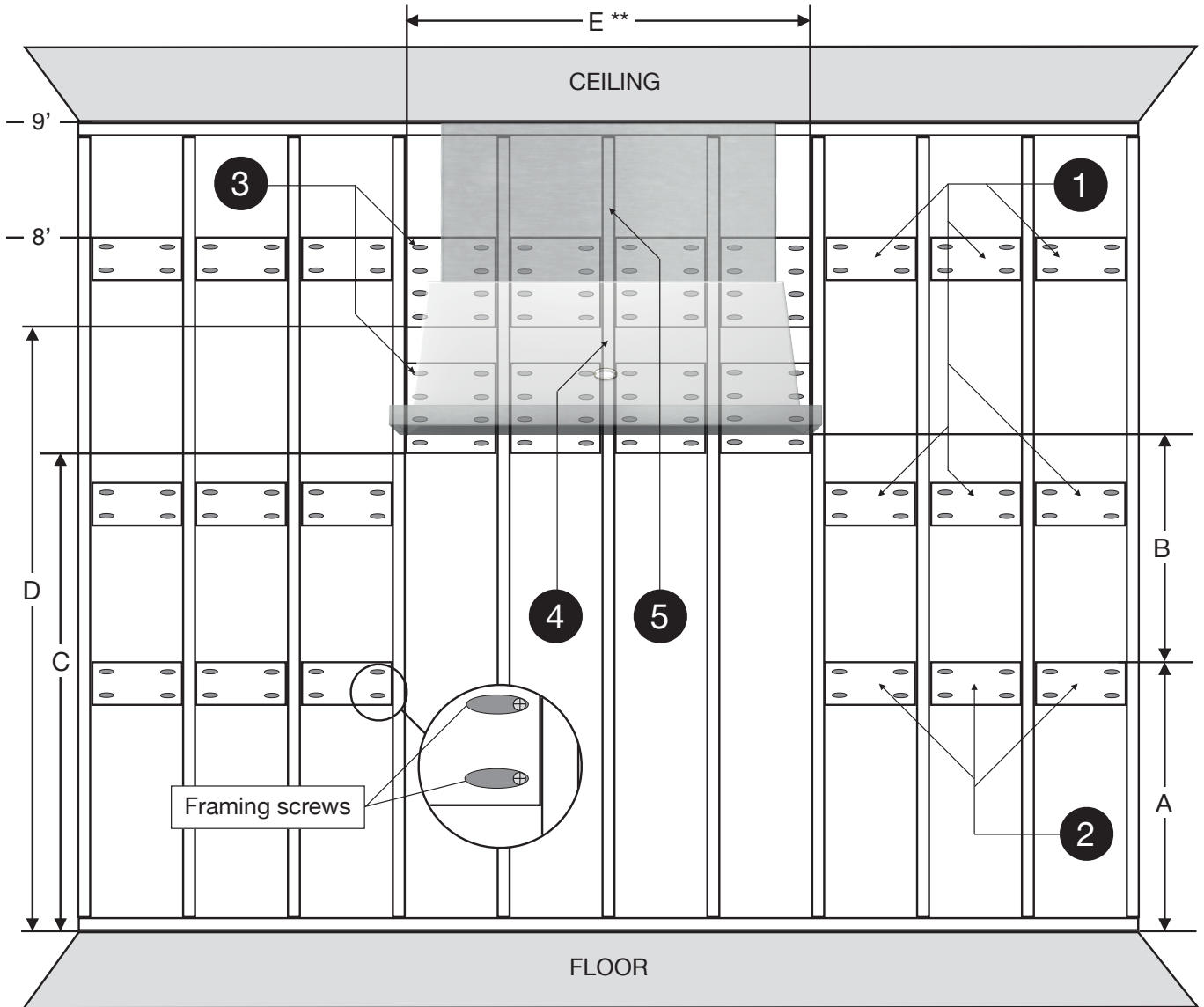
INSTALLATION MANUAL



1) PREPARING THE WALL:

Hood Wall Frame Blocking:

To allow the hood body to easily screw into structural material during installation (due to the combined weight of the hood body, duct cover & blower insert): pre-install frame blocking between wall studs prior to the installation of drywall similar to standard kitchen cabinetry frame blocking.

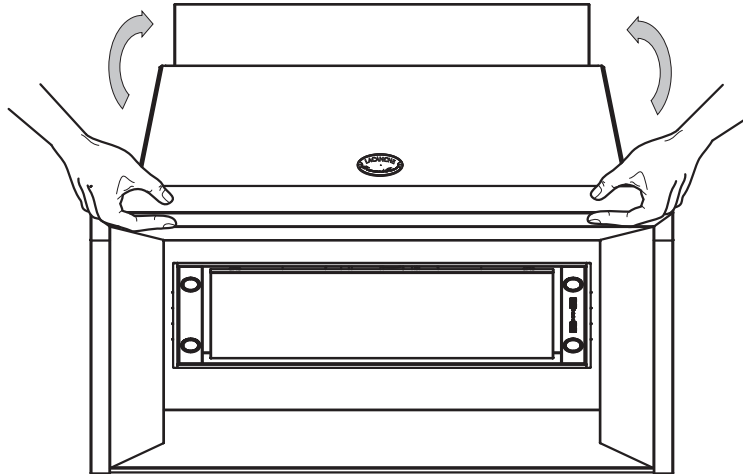


A	B	C	D	E
36" (Default) to 40"	30" (Min) to 36" (Max)	A + B - 3.0"	A + B + 19.75"	35.5" to 94.5"
Countertop Height	Countertop to Hood Height	Lower Hood Block Height	Upper Hood Block Height	Hood Beam Width

- ① Upper / Overhead Cabinetry blocking (6" tall strip of 3/4" plywood or 2x6 block)
- ② Bottom / Base Cabinetry blocking (6" tall strip of 3/4" plywood or 2x6 block)
- ③ Hood Body frame blocking (12" tall strip of 3/4" plywood or 2x12 block)
- ④ Hood Body
- ⑤ Hood Duct Cover

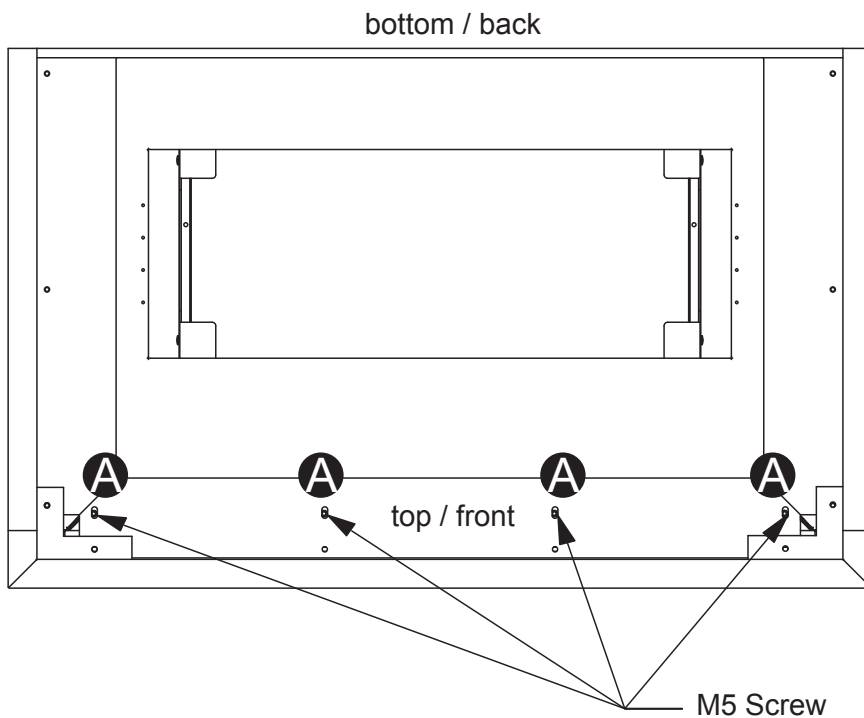
1) PREPARING THE HOOD FOR MOUNTING:

A. Turn the extractor hood on its back



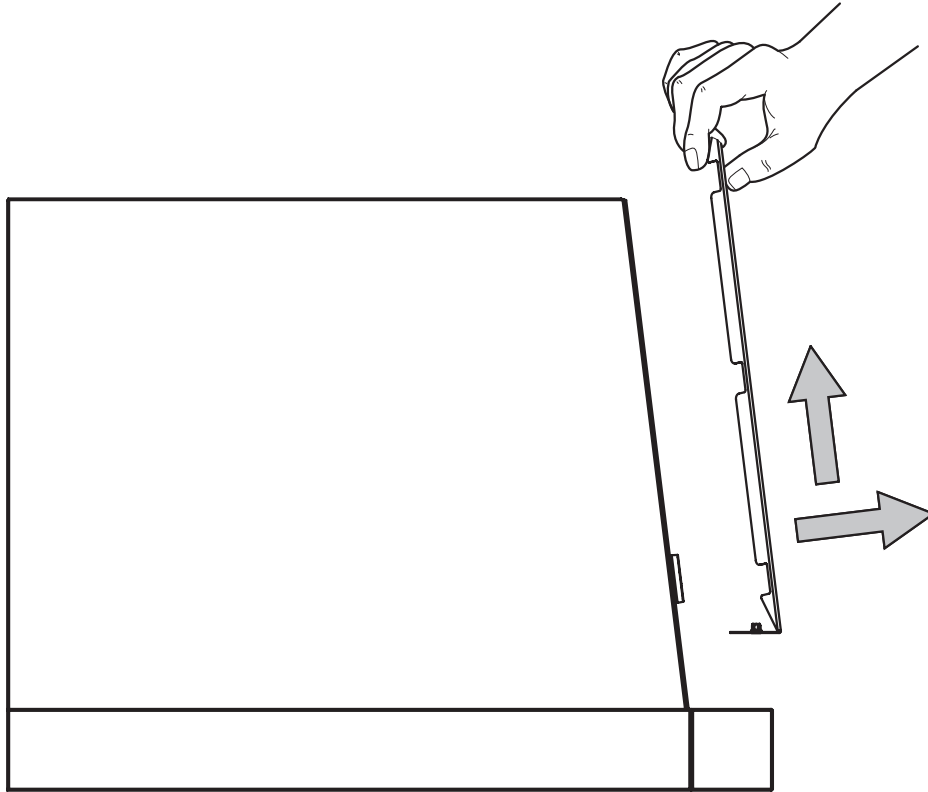
B. Without the three finishing trim pieces installed.

Remove the [4] M5 hex screws securing the front of the body panel. **A**



C. Stand the extractor hood upright.

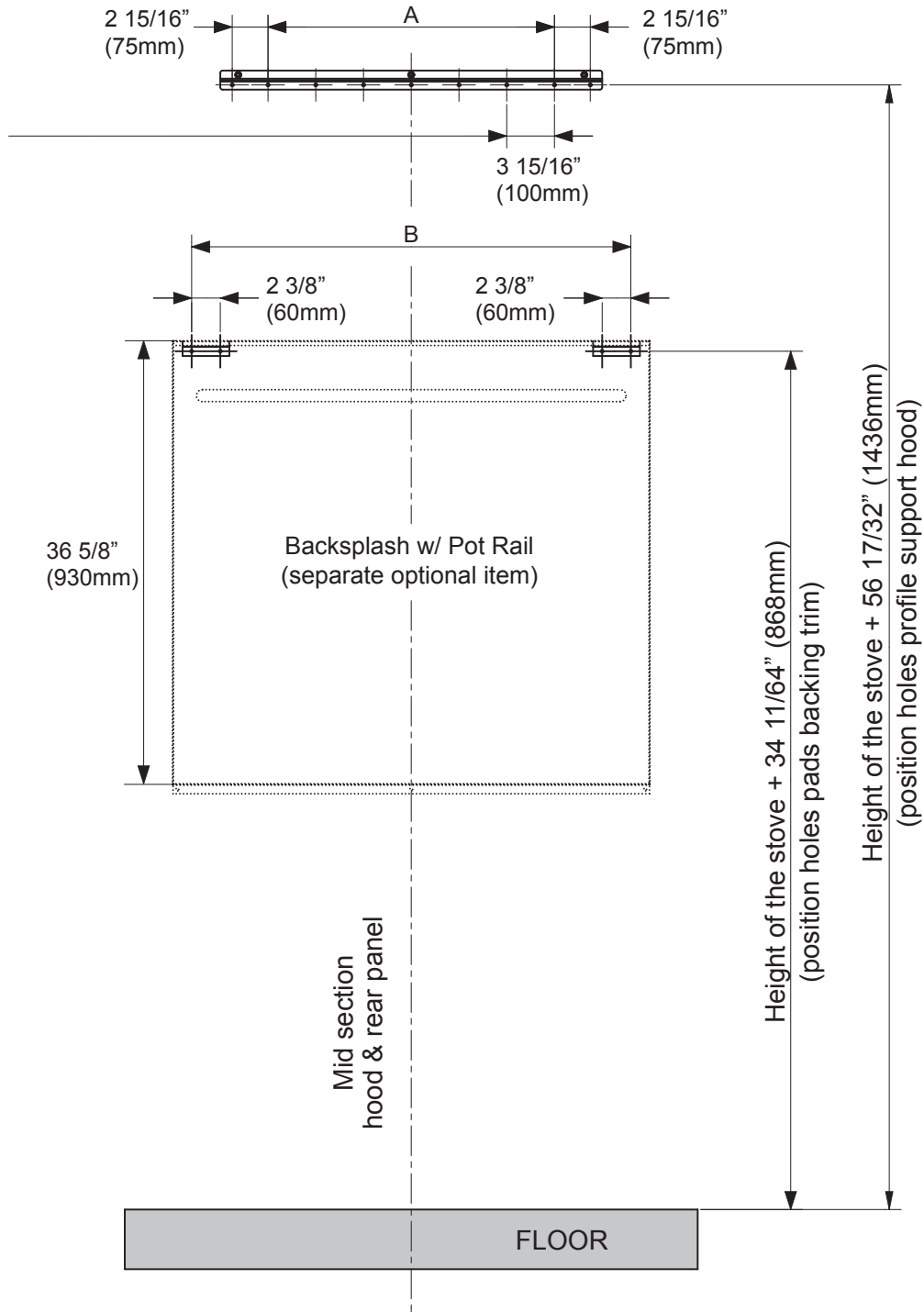
D. Remove the front cover by lifting it slightly and pulling it toward you.



3) PLACING THE SUPPORT BRACKETS ON THE WALL:

- A. Race and drill holes.
- B. Position and secure the two brackets (screw-type M5).

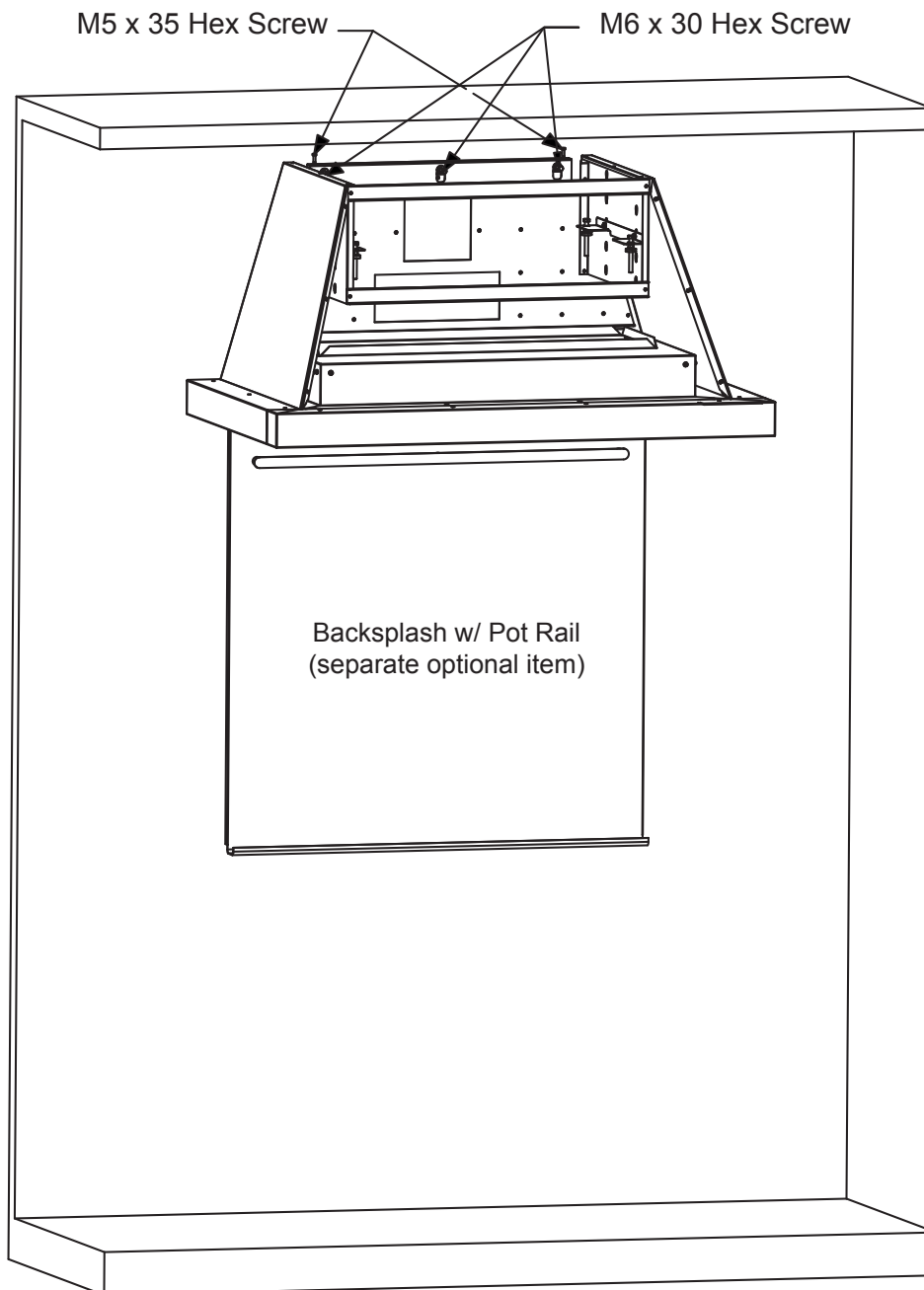
NOTE: If a backsplash is used, install it before mounting the hood.



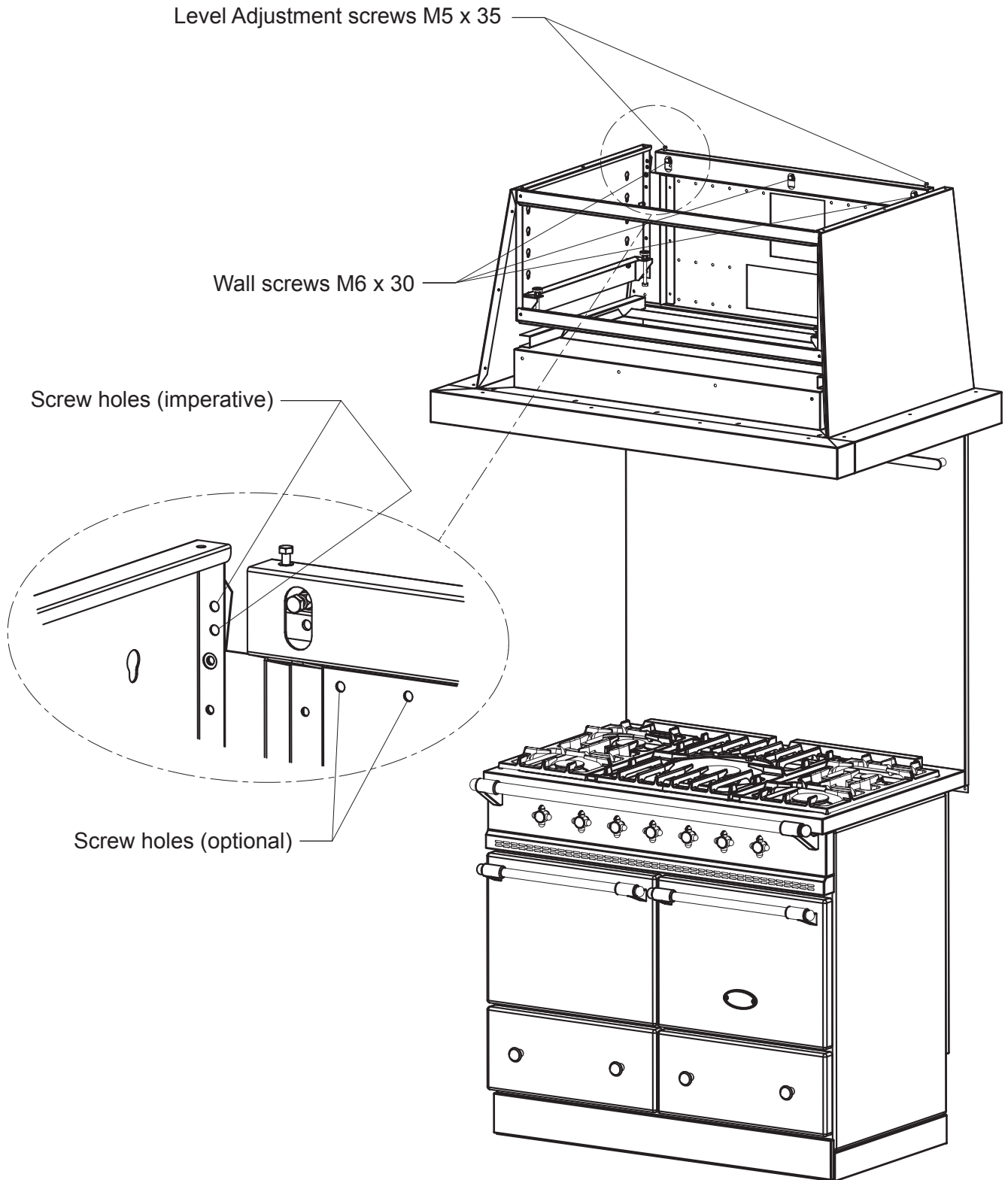
	L1HM-L2HM	L1HM-L2HM	L1HM-L2HM	L2HM	L2HM	L2HM	L2HM	L2HM
A	900	1100	1200	1300	1600	1700	2000	2400
B	620	820	920	1020	1320	1420	1720	2120

4) HANGING THE HOOD TO THE WALL BRACKETS:

- A. Position and install the hood support bracket [centerline] to the centerline of the hood mounting location with screw holes at 21 ½” above the bottom mounting height of the hood body. This may require pre-drilling new screw holes through the support bracket to target the center of at least two wall studs.
- B. Insert the two M5 x 35 leveling screws into the threads on top of the hood body rear panel.
- C. Hang the hood onto the mounted hood support bracket and center the hood body slightly left or right.
- D. Insert the three M6 x 30 screws into hood support bracket treads through the three oval holes in the rear panel.
- E. Tighten the [3] M6 x 30 screws lightly to flatten the hood body to the wall but to still allow movement.
- F. Level the hood body by tightening or loosening the two left or right M5 x 35 screws.
- G. Once level, secure the hood to the wall by fully tightening the three M6 x 30 screws.

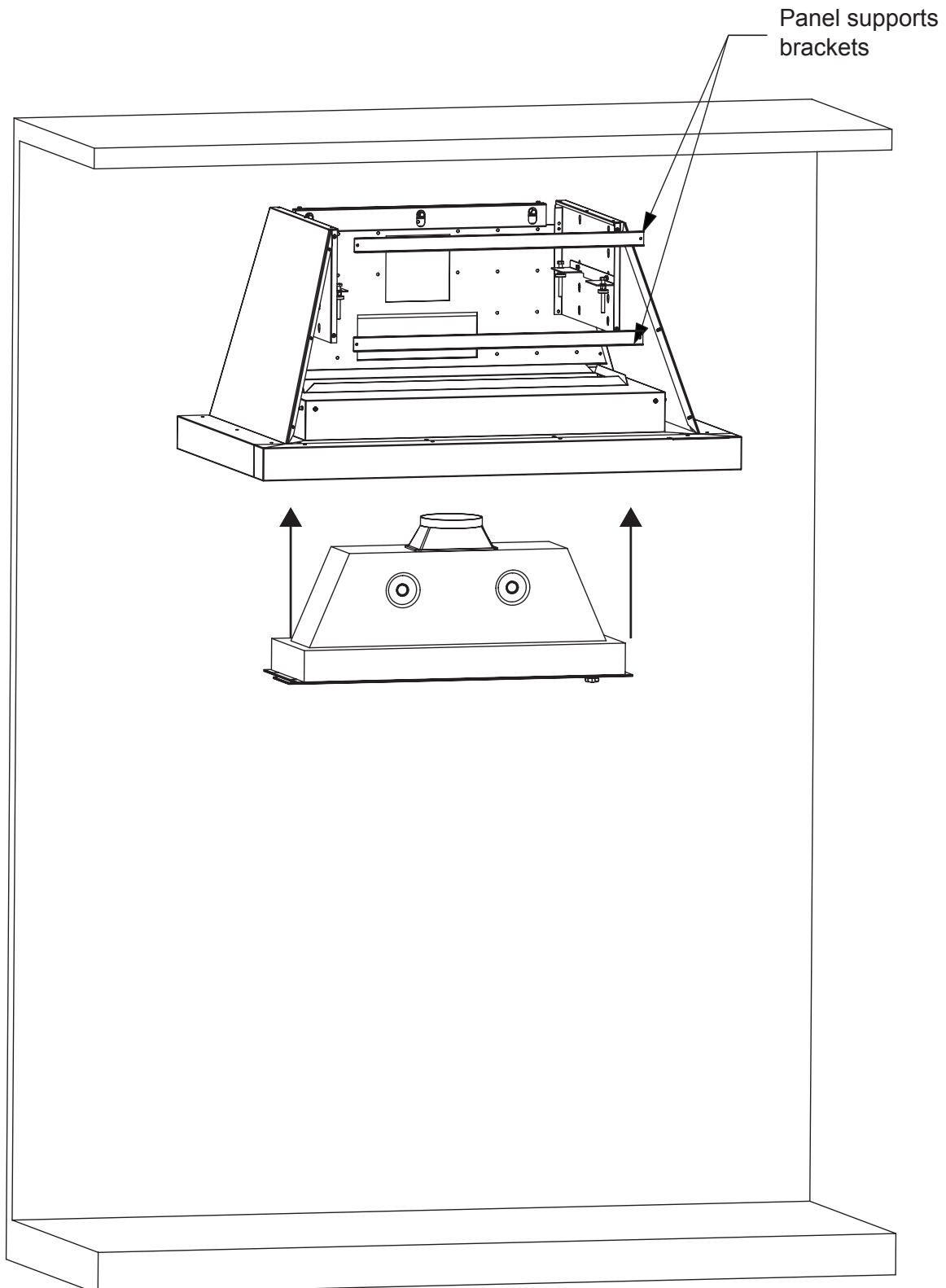


Attention: The hood body rear panel is manufactured with numerous screw holes to assist with the final mounting of the hood body. The screw holes shown below are critical to the mounting of the hood body.



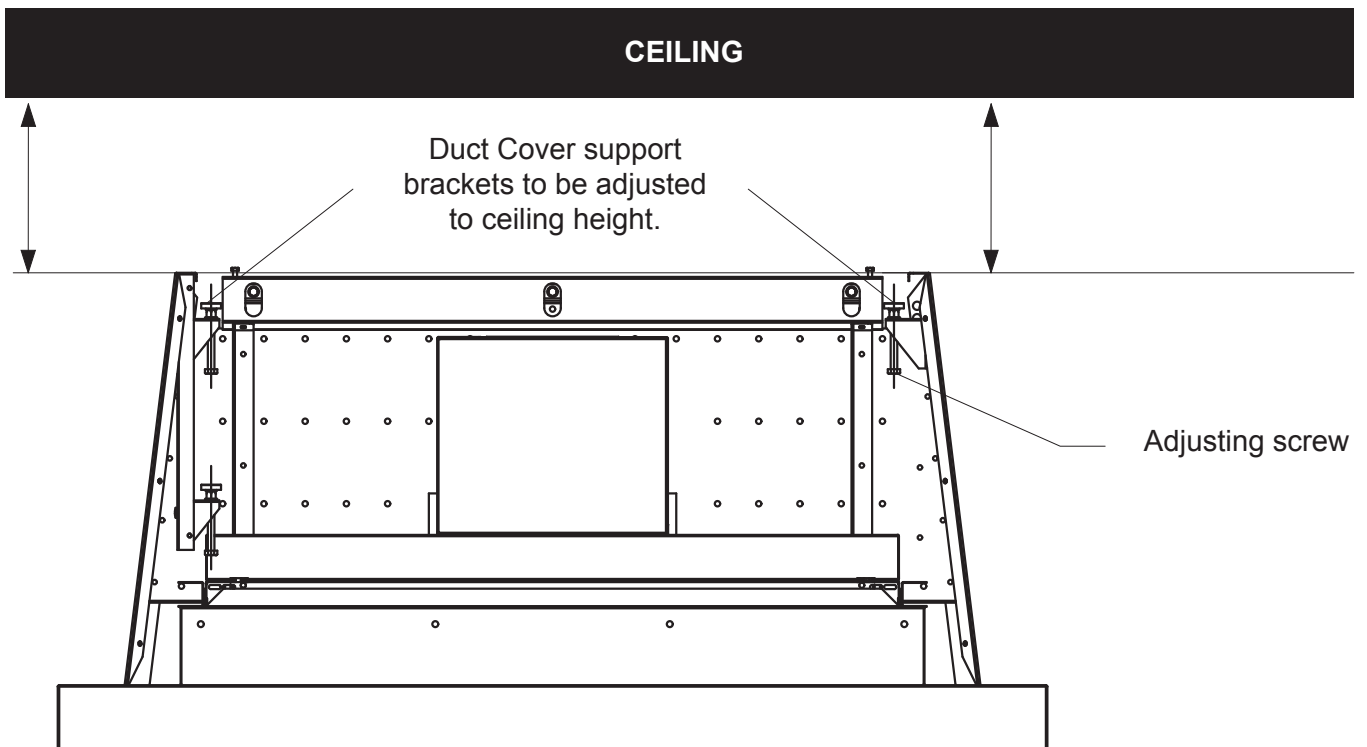
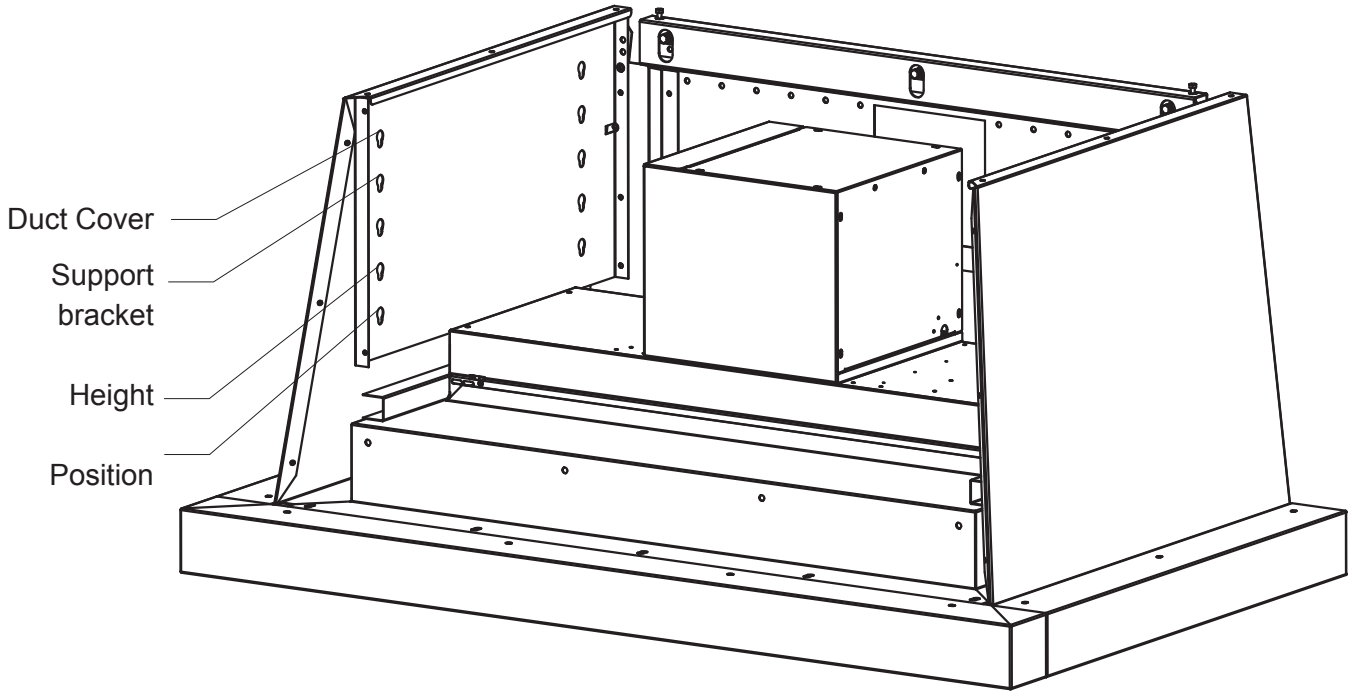
5) INSTALLING THE MOTOR/BLOWER INSERT:

- A. Remove the upper (or both if necessary) front panel support bracket(s) by removing the two or four hex screws from the height-adjustable support guides (the panels with the key-hole slots).
- B. Prepare and mount the blower insert according to the manufacturer's instructions included in the packaging of the insert.
- C. Connect the HVAC duct piping and electrical wiring through the open hood body front. Consult your local HVAC contractor for any questions or assistance.

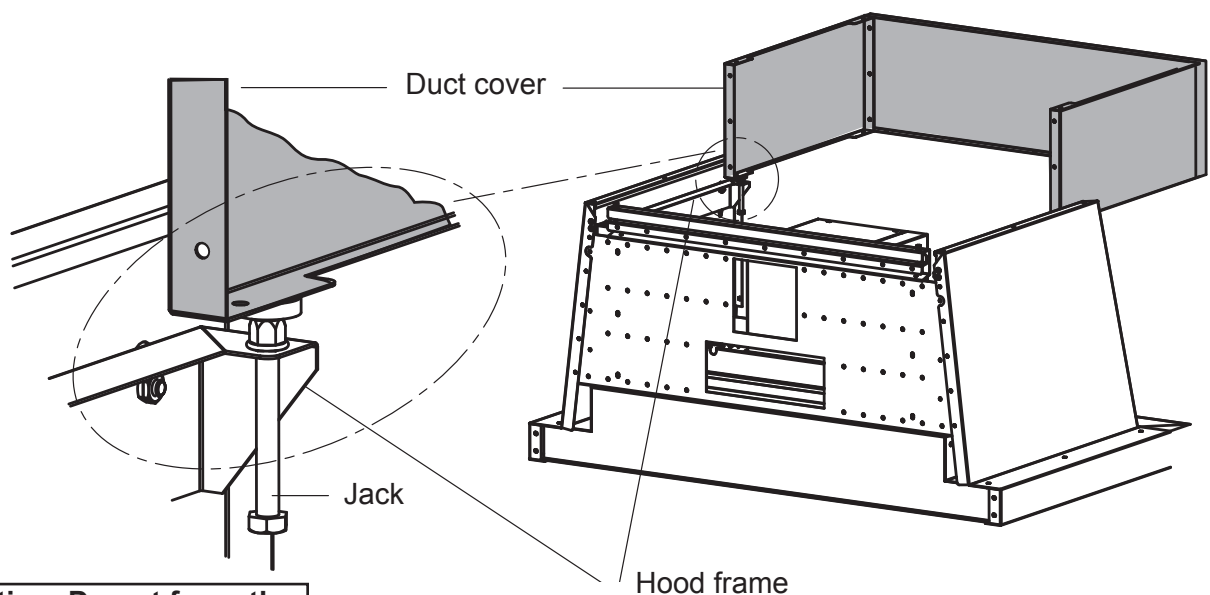
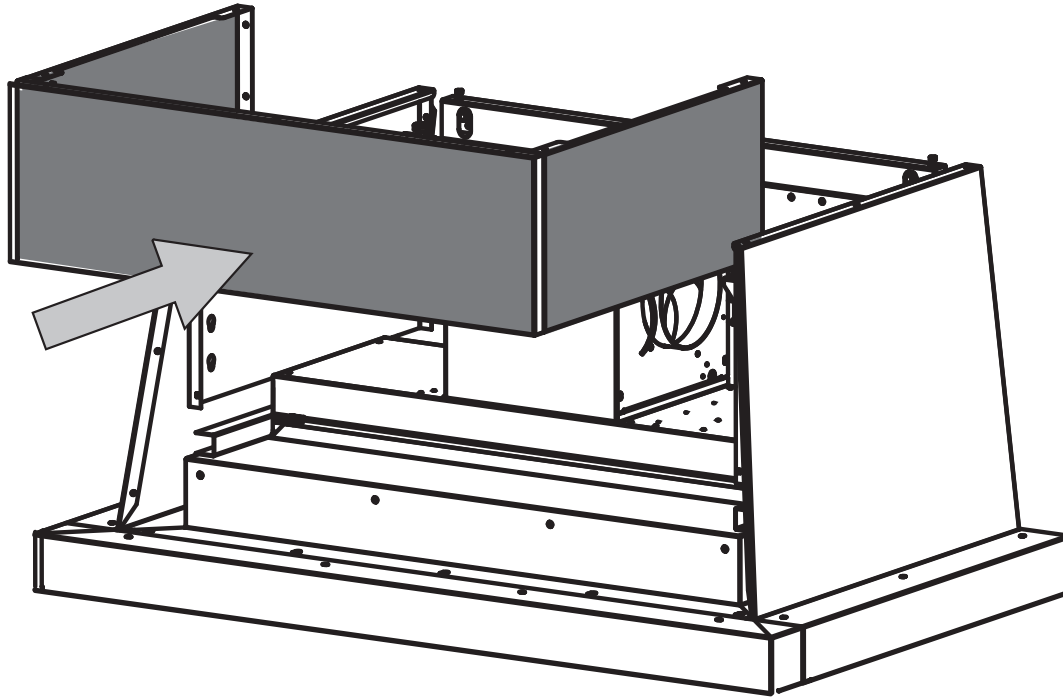


6) MOUNTING THE DUCT COVER:

A. Check the height of the ceiling and adjust the Duct Cover support brackets accordingly using the key-hole positions.



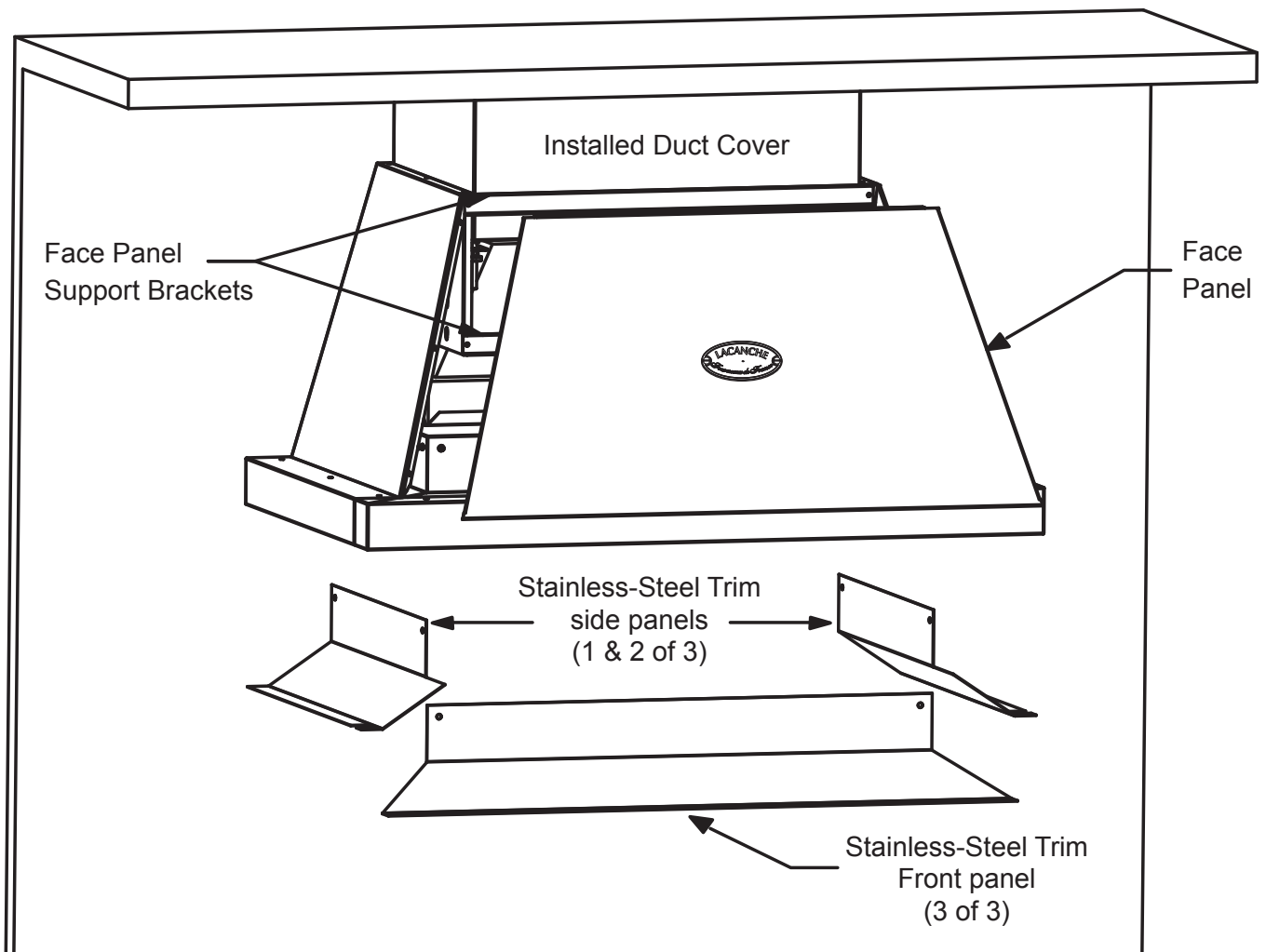
- B. Remove the upper (and lower if necessary) panel support bracket with hardware, and set aside.
- C. Insert the hood Duct Cover between the ceiling and the jacks through the front of the open hood body.
- D. Then adjust the jacks until the Duct Cover is pressed against the ceiling and screw into place through top and rear Duct Cover flange screw holes.



Caution: Do not force the jacks when tightening

7) MOUNTING THE FACE PANEL:

- A. Replace the face panel support brackets and secure them with the original hardware.
- B. Replace the body front face panel by hooking the top edge of the face panel over the upper panel support bracket and replace the [4] M5 hex screws holding the front of the front body panel to the bottom of the hood body (see section 2).
- C. Mount the three surrounding stainless-steel trim panels under the hood body/canopy. See Trim Panel Installation section below.

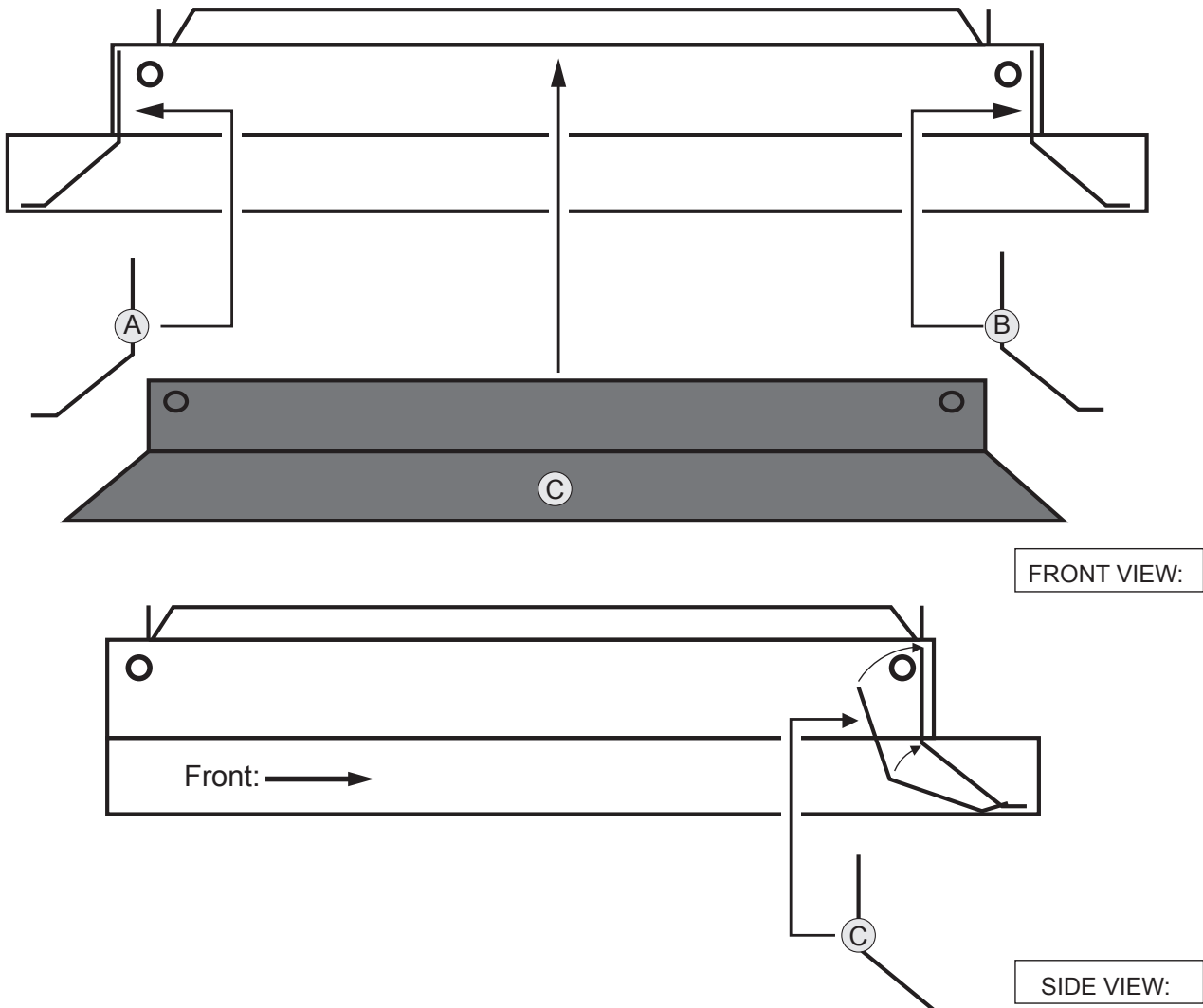


8) MOUNTING THE TRIM PANEL:

A. Remove laser-film from panel. Carefully slide/rotate trim side panel A in place above the bottom lip of the hood canopy and fasten rear of panel using one M5 screw. Avoid scraping the inside of the hood body with the rear edge of the trim panel.

B. Remove laser-film from panel. Carefully slide/rotate trim side panel B in place above the bottom lip of the hood canopy and fasten rear of panel using one M5 screw. Avoid scraping the inside of the hood body with the rear edge of the trim panel.

C. Remove laser-film from panel. Carefully slide/rotate trim panel C in place above the bottom lip of the hood canopy and fasten panel using two M5 screws. Avoid scraping panels A & B with the corners/edges of the front trim panel when mounting. Suggest using two playing cards or small, thin plastic sheets to help protect the A & B trim panel surfaces. Once front trim panel C is fully installed, fasten remaining two M5 screws to the front of trim panels A & B.





9) ELECTRICAL AND HVAC:

Electrical connection:

Finish cable with an earthed single-pole plug suitable for 115V/60Hz.
Hood canopy/shell must be grounded.

Connecting exhaust duct:

Attention: Cut exhaust duct(s) and make sure the end of the duct, when installed above the body of the installed hood, protrudes far enough to be connected to the fan(s) or duct elbow fittings. Please consult your local HVAC contractor or technician for any questions or assistance with duct piping in/through the home or at the final connection to the motor / blower insert.

Moderne Aire Mechanical Insert Specs:

Please follow the Modern Aire liner insert installation instructions. Vent duct exits from the top of the insert housing.

<i>Model</i>	<i>Amps</i>	<i>Duct Size (min)</i>	<i>CFM</i>	<i>Sones</i>
LH900 – Modern Aire #PSL	1.75	8"	325	4.7
LH1100 – Modern Aire #PSL	1.75	8"	600	6.0
LH1200 – Modern Aire #PSL	1.75	8"	600	6.0
LH1300 – Modern Aire #	N/A	N/A	N/A	N/A
LH1600 – Modern Aire #	N/A	N/A	N/A	N/A
LH1700 – Modern Aire #	N/A	N/A	N/A	N/A
LH2000 – Modern Aire #	N/A	N/A	N/A	N/A
LH2400 – Modern Aire #	N/A	N/A	N/A	N/A

Vent-a-Hood Mechanical Insert Specs:

Please follow the Vent-a-Hood liner insert installation instructions. Vent duct exits from the top of the insert housing.

<i>Model</i>	<i>Amps</i>	<i>Duct Size (min)</i>	<i>CFM</i>	<i>Sones</i>
LH900	N/A	N/A	N/A	N/A
LH1100	N/A	N/A	N/A	N/A
LH1200	N/A	N/A	N/A	N/A
LH1300 – Vent-a-Hood BH228SLD	4.0	8.0"	600	6.5
LH1600 – Vent-a-Hood BH234SLD	4.0	8.0"	600	6.5
LH1700 – Vent-a-Hood BH240SLD	4.0	8.0"	600	6.5
LH2000 – Vent-a-Hood BH246SLD	4.0	8.0"	600	6.5
LH2400 – Vent-a-Hood BH346SLD	6.0	8.0" + 6.0" Dual	900	6.3

- Observe local codes regarding special duct requirements and placement of duct against combustibles.
- Where possible, seal joints with duct or foil tape.
- The hood must be ducted to the outdoors without restrictions.
- NEVER reduce the duct size.
- When combining ducts together, the square inch area must reflect the total square inch area of the ducts being combined.
- Do not use flexible or corrugated duct. This type of duct will restrict airflow and reduce performance.
- Only use smooth, galvanized, metal duct.
- Make the duct run as short and as straight as possible with as few turns as possible.
- Avoid sharp-angled turns. Instead, use smooth, gradual turns such as adjustable elbows or 45 degree angled turns. T-connections, adapters, or joints are not supported.
- For duct runs over 20 feet, increase the duct diameter by one inch for every ten feet of duct.
- A 90-degree elbow is equal to 5 feet of duct.
- Airflow must not be restricted at the end of the duct run.
- A wall louver or roof jack is required for each duct run.
- Every wall louver or roof jack must include a gravity damper to prevent back drafts.
- Do not use screen wire or spring-loaded doors on wall louvers or roof jacks.
- Do not terminate venting into an attic or chimney.

USER'S MANUAL



10) USER MANUAL:

- Appliances must be installed in a workmanlike manner in accordance with the instructions in this manual and locally applicable regulations.
- This manual will be handed over to the user after installation.

Operating principle:

- LACANCHE range hoods are available with a single (LHM 900) or two 600 m³/h blower units (other models) and should be supplied complete with grease filters.

For normal operation:

- Place pots/pans on range so hood catches all vapor and smoke.
- Avoid cross-drafts.
- Match fresh air intake (make-up-air) to exhaust volume to avoid loss of performance.

Control panels:

- The control panels are specific to each motor / blower insert. Please refer to the user manual of the manufacturer of the motor / blower insert.

CAUTION !

**NEVER ALLOW FLAME-UPS
UNDER THE HOOD**





11) CLEANING AND MAINTENANCE:

Motor / blower insert group:

- Please refer to the manufacturer's manual for cleaning instructions.
- The periodic cleaning / degreasing of the filters should be carried out at least once a month, more in case of intensive use.
- Do not use a steam cleaner on the hood or motor / blower section!

Powder Coated Surfaces:

- Use sponge with soapy solution or [non-ammonia] window cleaner but never use abrasive cleaners. You can also use 100% white vinegar or denatured alcohol only when the appliance is cold.

Stainless steel:

- The stainless steel is cleaned with hot soapy water or any other neutral, nonabrasive detergent. Suggested products are Zep, SprayWay or Simple Green Stainless-Steel Cleaner & Polish.

Brass logo:

- Clean with a soft cloth soaked in a special non-abrasive brass product like Mother's Mag & Aluminum polish. Use as directed. Remove residue with a second dry soft cloth. Be careful with other metal cleaners / polishers if the product should run on the enamel, do not rub (these products contain abrasives) but rinse with clear water without rubbing.

BEFORE ANY CLEANING OPERATION CHECK THAT THE APPLIANCE IS DISCONNECTED FROM THE SUPPLY

CAUTION

**Do not clean this unit with chlorine based products. Damage could occur.
Carefully read the warnings and recommendations for using the products that you use for the cleaning and maintenance of the device.**

Note concerning the disposal of waste electrical and electronic equipment

Decree no. 2005-829 of 20 July 2005 transposing European Directives 2002/95/EC and 2002/96/ EC on hazardous substances in electrical and electronic equipment and on the disposal waste electrical and electronic equipment.

- Electrical and electronic equipment (EEE) and waste electrical and electronic equipment (WEEE) are regulated at European level by two directives which aim on the one hand to limit the use of certain hazardous substances in EEE, and on the other hand to promote the reuse, recycling and other forms of recovery of WEEE so as to reduce the disposal of waste.



All electrical and electronic equipment put on the market after 13 August 2005 must be marked with this symbol.

This symbol indicates that the equipment may not be disposed of with other waste and that it is the object of separate collection with the purpose of recovery, reuse and recycling.

- Users of electrical and electronic equipment are required not to dispose of WEEE as unsorted municipal waste.
- Appropriate systems of separate collection are available to users.
- To meet these regulations as a manufacturer of electrical equipment, Lacanche has joined and participates in the green scheme operated by ÉCO-SYSTÈMES FRANCE.

It is by observing these regulations that users of electrical and electronic equipment avoid the potentially harmful effects on the environment and human health, whilst contributing also to the preservation of natural resources.

