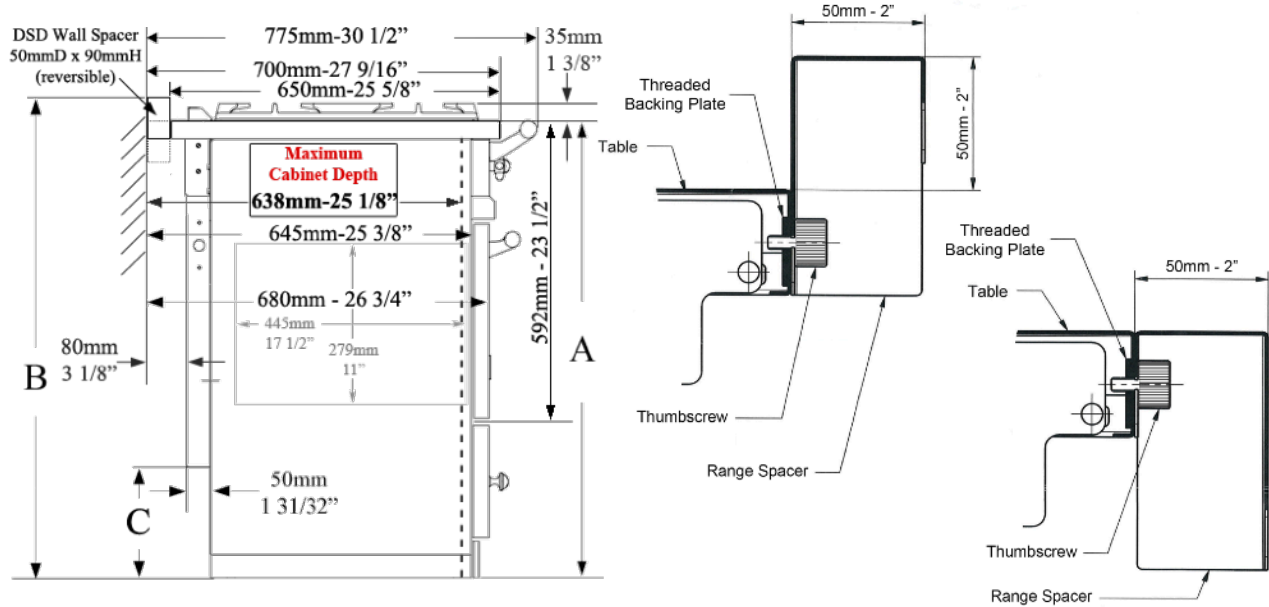


LACANCHE CABINET PREPARATION



The 50mm range spacer is reversible using the alternate mounting holes on the opposite side of the spacer and the thumb screws provided, as shown above.

RANGE HEIGHT TABLE

The Lacanche factory produces multiple base plinth heights in 15mm increments from 900mm to 1020mm. The two optional heights listed below do not require an additional charge. All other height options are a special order item. All range base height options are installed at the factory at the time of the range order.

Range Base Height *	A	B	C
Default	36" - 915mm (max 36 5/8")	38" - 965mm	7 1/4" - 185mm
Optional	36 5/8" - 930mm (max 37 3/16")	38 9/16" - 980mm	7 7/8" - 200mm

All final range height dimensions are variable with the use of the adjustable leveling components;
Maximum added height for the leveling rollers & feet: 9/16" (14mm)

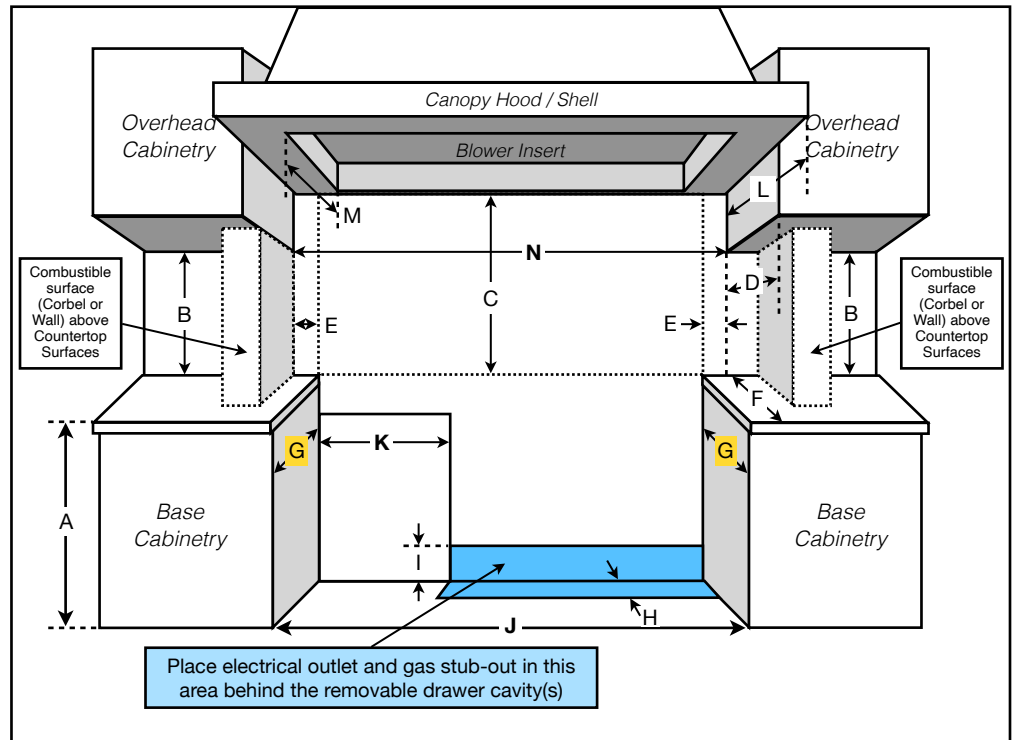
* Several base plinth height options are available and directly effect the basic range chassis height. The two most common options are listed above and on each diagram table. More options are listed in the table below. To order your range with a taller height option: contact your salesperson at the time of the range order.

Base Plinth Height Options

BASE PLINTH HEIGHT	CHASSIS HEIGHT		RANGE MODEL WIDTH							TOEKICK HEIGHT	
	METRIC (mm)	STANDARD (")	700	900	1000	1100	1400	1500	1800		2200
55mm	(915-929)	36" - 36 9/16"									85mm - 3 3/8"
70mm	(930-944)	36 5/8" - 37 3/16"									100mm - 3 7/8"
85mm	(945-959)	37 3/16" - 37 3/4"									115mm - 4 1/2"
100mm	(960-974)	37 13/16" - 38 11/32"									130mm - 5 1/8"
+	Taller base plinth height options are available - Please inquire with your salesperson at the time of order.										
	All leveling rollers & feet are adjustable by +14mm (+5/8")										
Color Legend:	SIL special order item, extra charge added			Default: No extra charge				Option 2: No extra charge			

CABINET PREPARATION (models with main horizontal oven to the right side):

WIDTH TABLE		
RANGE MODEL	J (Opening Width)	K
Cormatin	705mm 27 3/4"	0mm 0"
Rully	705mm 27 3/4"	0mm 0"
Bussy	905mm 35 5/8"	400mm 15 3/4"
Cluny	1005mm 39 9/16"	457mm 18"
Chagny	1005mm 39 9/16"	457mm 18"
Volnay	1005mm 39 9/16"	400mm 15 3/4"
Chassagne	1110mm 43 11/16"	400mm 15 3/4"
Saulieu	1110mm 43 11/16"	400mm 15 3/4"
Sully	1410mm 55 1/2"	705mm 27 3/4"
Cluny 1400 L	1410mm 55 1/2"	905mm 35 5/8"
Chagny 1400 L	1410mm 55 1/2"	905mm 35 5/8"
Sully 1800 L	1810mm 71 1/4"	1305mm 51 3/8"



Range Height	A (min *)	B	C	D	E 1	F (max)	G (max)	H	I	J	K	L	M	N 1
Default	915mm 36"	457mm 18"	672mm to 914mm 30-36"	330mm 13"	100mm 4"	700mm 27 9/16"	637mm 25 1/8"	132mm 5 3/16"	185mm 7 1/4"	See Width Table		750mm 29 1/2"	580mm 22 13/16"	See Hood Page
Optional	930mm 36 5/8"								200mm 7 7/8"					

* All final range height dimensions are variable with the use of the adjustable leveling components; Maximum added height for the leveling rollers & feet: 9/16" (14mm) A includes all available range base height options.

1 For optimum exhaust capture efficiency, the hood body outer width should be 8" (200mm) wider than the range width due to convection flare-out, as hot exhaust fumes and gases do not naturally rise in a straight vertical column.

FOR RULLY MODELS ONLY:

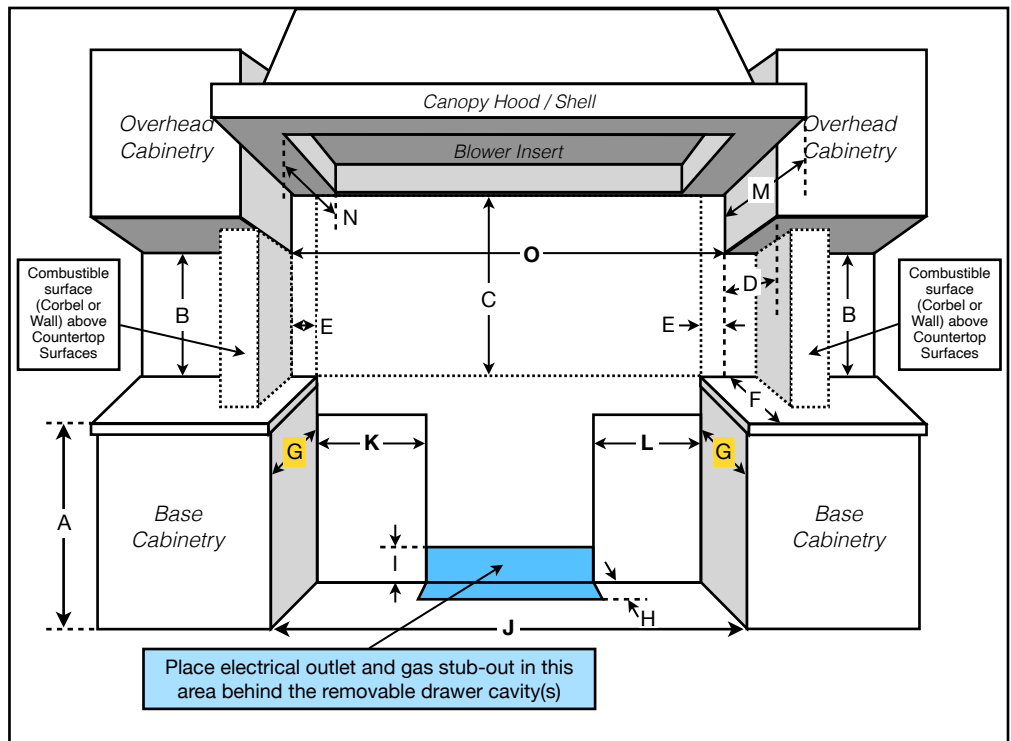
Rully models have the exact same outer dimensions as the Cormatin models, however, the Rully has no bottom drawer cavity to quickly access the gas shut-off valve. The suggested location for the gas shut-off valve for the Rully is in the back of the adjacent right (or left) base cabinet or shortened drawer. In the event that the range is installed in an island application, a removable rear panel accessible from the opposite side of the island wall is recommended.

Alternate Gas Valve Access Example: This recommendation is applicable to all Lacanche installations, however due to the product design and local codes it may be required for the Rully model:



CABINET PREPARATION (models that include a vertical cabinet on the right side):

WIDTH TABLE			
RANGE MODEL	J (Opening Width)	K	L
Beaune	905mm 35 5/8"	0mm 0"	400mm 15 3/4"
Vougeot	1005mm 39 9/16"	0mm 0"	400mm 15 3/4"
Chambertin	1110mm 43 11/16"	0mm 0"	400mm 15 3/4"
Savigny	1110mm 43 11/16"	0mm 0"	400mm 15 3/4"
Cluny 1400 R	1410mm 55 1/2"	505mm 19 7/8"	400mm 15 3/4"
Chagny 1400 R	1410mm 55 1/2"	505mm 19 7/8"	400mm 15 3/4"
Fontenay	1510mm 59 7/16"	400mm 15 3/4"	400mm 15 3/4"
Citeaux	1510mm 59 7/16"	400mm 15 3/4"	400mm 15 3/4"
Cluny 1800	1810mm 71 1/4"	400mm 15 3/4"	400mm 15 3/4"
Chagny 1800	1810mm 71 1/4"	400mm 15 3/4"	400mm 15 3/4"
Sully 1800 R	1810mm 71 1/4"	705mm 27 3/4"	400mm 15 3/4"
Sully 2200	2210mm 87"	400mm 15 3/4"	400mm 15 3/4"



Range Height	A (min *)	B	C	D	E 1	F (max)	G (max)	H	I	J	K	L	M	N	O 1
Default	915mm 36"	457mm 18"	672mm to 914mm 30-36"	330mm 13"	100mm 4"	700mm 27 9/16"	637mm 25 1/8"	132mm 5 3/16"	185mm 7 1/4"	See Width Table			750mm 29 1/2"	580mm 22 13/16"	See Hood Page
Optional	930mm 36 5/8"								200mm 7 7/8"						

* All final range height dimensions are variable with the use of the adjustable leveling components;
Maximum added height for the leveling rollers & feet: 9/16" (14mm). A includes all available range base height options.

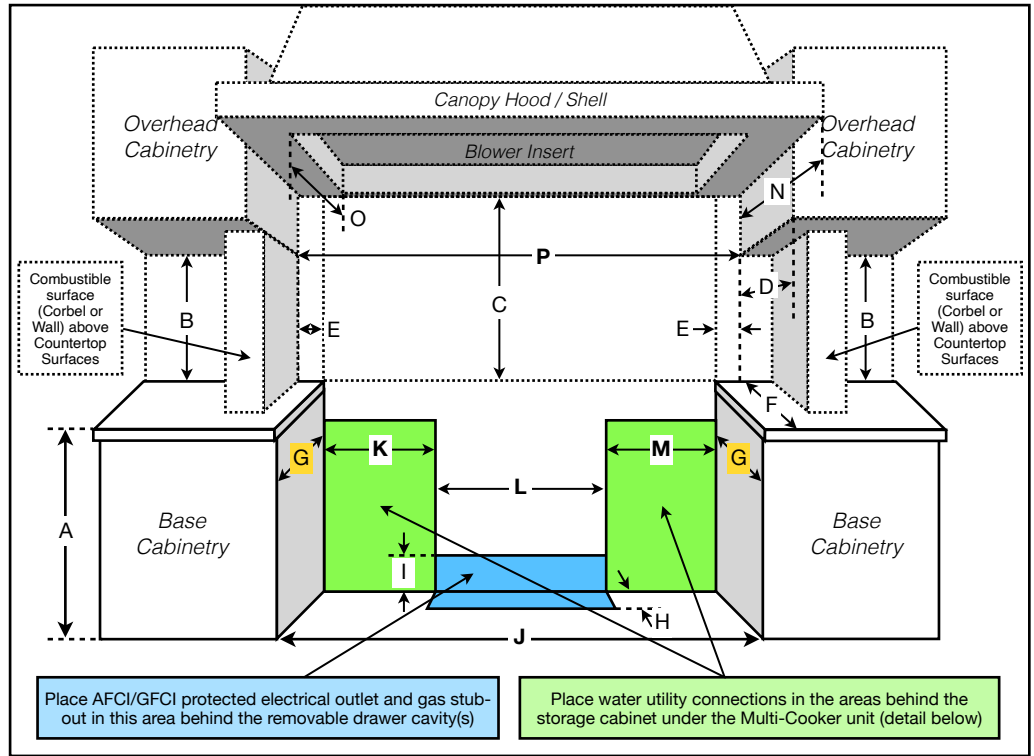
1 For optimum exhaust capture efficiency, the hood body outer width should be 8" (200mm) wider than the range width due to convection flare-out, as hot exhaust fumes and gases do not naturally rise in a straight vertical column.

Please Note:

- The 50mm (2") vented range spacer is required by UL to install a Lacanche range in the US.
- All depth measurements are with a 50mm (2") spacer installed.
- These ranges are designed to be freestanding, so there is no minimum adjacent base cabinet depth.
- Lacanche ranges can be manufactured with several available chassis height options (taller base plinths). These should be itemized on the range order to be installed by the factory. This should be discussed with the salesperson at the time of the range order.
- Gap filler panels are available for either side of freestanding units between the rear of the range chassis and the wall.
- Lacanche Hoods are not available for Island install applications, these hoods can only mount to a wall surface.
- Hood vent duct stub-outs can only be installed above the mounted hood body, through the wall or ceiling surface behind the duct cover (supplied).
- Hood vent duct diameter should meet or exceed the Blower Insert duct diameter (or equivalent), and the configuration of the ducting route through the house structure. Please consult your local HVAC tech for proper duct sizing.
- Ducting Wye Adapters will need to be purchased separately from the Blower Insert manufacturer.

MULTI-COOKER CABINET PREPARATION (only models with Multi-Cooker Option above a left or right Storage Cabinet):

WIDTH TABLE				
RANGE MODEL	J (Opening Width)	K	L	M
Chassagne	1110mm 43 11/16"	400mm 15 3/4"	705mm 27 3/4"	0mm 0"
Chambertin	1110mm 43 11/16"	0mm 0"	705mm 27 3/4"	400mm 15 3/4"
Cluny 1400 L	1410mm 55 1/2"	400mm 15 3/4"	1005mm 39 9/16"	0mm 0"
Chagny 1400 L	1410mm 55 1/2"	400mm 15 3/4"	1005mm 39 9/16"	0mm 0"
Cluny 1400 R	1410mm 55 1/2"	0mm 0"	1005mm 39 9/16"	400mm 15 3/4"
Chagny 1400 R	1410mm 55 1/2"	0mm 0"	1005mm 39 9/16"	400mm 15 3/4"
Fontenay	1510mm 59 7/16"	400mm 15 3/4"	705mm 27 3/4"	400mm 15 3/4"
Citeaux	1510mm 59 7/16"	400mm 15 3/4"	705mm 27 3/4"	400mm 15 3/4"
Cluny 1800	1810mm 71 1/4"	400mm 15 3/4"	1005mm 39 9/16"	400mm 15 3/4"
Chagny 1800	1810mm 71 1/4"	400mm 15 3/4"	1005mm 39 9/16"	400mm 15 3/4"
Sully 1800 L	1810mm 71 1/4"	400mm 15 3/4"	1405mm 55 5/16"	0mm 0"
Sully 1800 R	1810mm 71 1/4"	0mm 0"	1405mm 55 5/16"	400mm 15 3/4"
Sully 2200	2210mm 87"	400mm 15 3/4"	1405mm 55 5/16"	400mm 15 3/4"



Range Height	A (min*)	B	C	D	E 1	F (max)	G (max)	H	I	J	K	L	M	N	O	P 1
Default	915mm 36"	457mm 18"	672mm to 914mm 30-36"	330mm 13"	100mm 4"	700mm 27 9/16"	637mm 25 1/8"	132mm 5 3/16"	185mm 7 1/4"	See Width Table				750mm 29 1/2"	580mm 22 13/16"	See Hood Page
Optional	930mm 36 5/8"								200mm 7 7/8"							

* All final range height dimensions are variable with the use of the adjustable leveling components; Maximum added height for the leveling rollers & feet: 9/16" (14mm) A includes all available range base height options.

1 For optimum exhaust capture efficiency, the hood body outer width should be 8" (200mm) wider than the range width due to convection flare-out, as hot exhaust fumes and gases do not naturally rise in a straight vertical column.

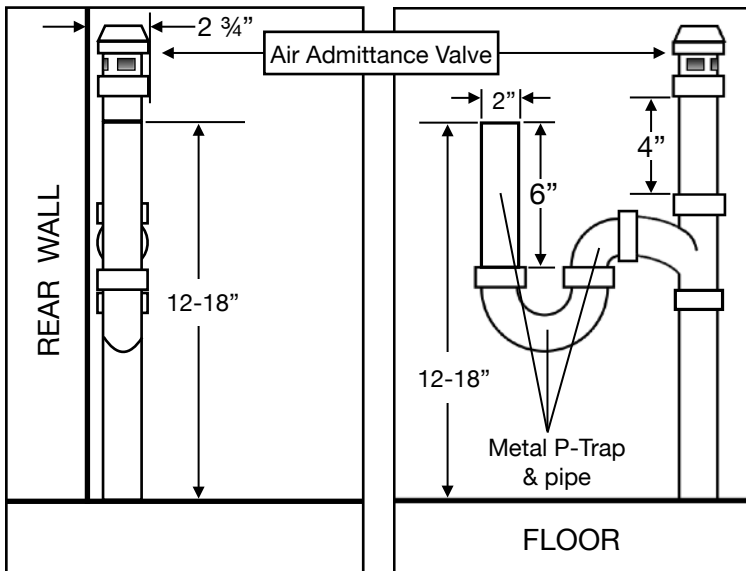
The Multi-Cooker option is supplied with:

- [1] 5ft x 3/4" flexible drain hose w/ plastic wall-mounted securing elbow
- [1] 5ft x 3/4" FHT to 3/4" FHT supply hose

Water Drain Detail (with 50mm range spacer installed):

Side View:

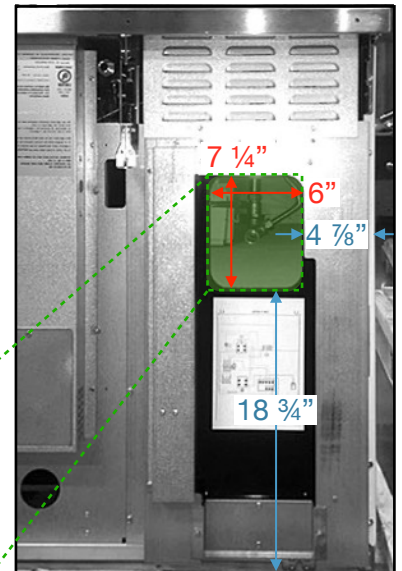
Front View:



Water Supply:

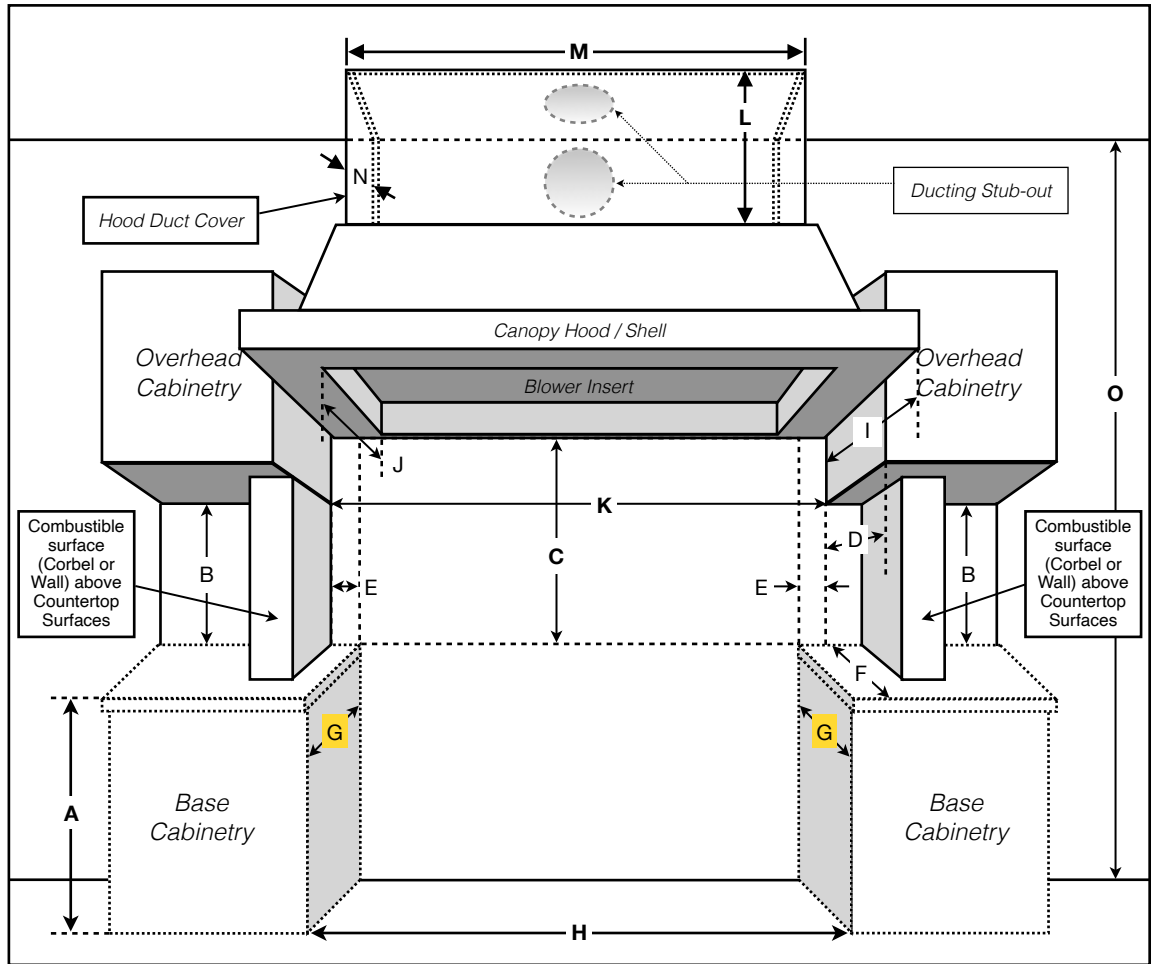
To allow easy access to the water supply valve:
Place 3/4" MHT potable cold water Tap/Valve in the opening directly behind the cabinet under the Multi-Cooker unit (or in the space behind the adjacent drawer cavity).

The Multi-Cooker cabinet rear wall opening is:
6" x 7 1/4",
4 7/8" inward from the range side panel & 18 3/4" up from the range bottom.



HOOD CABINET PREPARATION:

WIDTH TABLE	
Range Width	H (Opening Width)
700mm	705mm 27 3/4"
900mm	905mm 35 5/8"
1000mm	1005mm 39 9/16"
1105mm	1110mm 43 11/16"
1405mm	1410mm 55 1/2"
1505mm	1510mm 59 7/16"
1805mm	1810mm 71 1/4"
2205mm	2210mm 87"



Range Height	A (min *)	B	C	D	E 1	F (max)	G (max)	H	I	J	K 1	L	M	N	O
Default	915mm 36"	457mm 18"	672mm to 914mm 30-36"	330mm 13"	100mm 4"	700mm 27 9/16"	637mm 25 1/8"	See Width Table	750mm 29 1/2"	580mm 22 13/16"	See Hood Table	See Hood Table	See Hood Table	575mm 22 5/8"	Ceiling Height
Optional	930mm 36 5/8"														

* All final range height dimensions are variable with the use of the adjustable leveling components; Maximum added height for the leveling rollers & feet: 9/16" (14mm) A includes all available range base height options.

1 For optimum exhaust capture efficiency, the hood body outer width should be 8" (200mm) wider than the range width due to convection flare-out, as hot exhaust fumes and gases do not naturally rise in a straight vertical column.

HOOD TABLE			K	L	M
Range Model Width	Hood Model	Hood Width	Minimum Cabinetry Opening Width	Duct Cover Height	Duct Cover Width
Cormatin / Rully (700mm)	LH900	35 7/16" (900mm)	35 11/16" (906mm)	(O - A - C) - 22.75" = L	21 7/8" (556mm)
Beaune / Bussy (900mm)	LH1100	43 5/16" (1100mm)	43 9/16" (1106mm)	"	29 3/4" (756mm)
Cluny / Chagny / Volnay / Vougeot (1000mm)	LH1200	47 1/4" (1200mm)	47 1/2" (1206mm)	"	33 11/16" (856mm)
Saulieu / Savigny / Chambertin / Chassagne (1105mm)	LH1300	51 3/16" (1300mm)	51 7/16" (1306mm)	"	37 5/8" (956mm)
Sully / Cluny / Chagny 1400 (1405mm)	LH1600	63" (1600mm)	63 1/4" (1606mm)	"	49 7/16" (1256mm)
Citeaux / Fontenay (1505mm)	LH1700	66 15/16" (1700mm)	67 3/16" (1706mm)	"	53 3/8" (1356mm)
Sully / Cluny / Chagny 1800 (1805mm)	LH2000	78 3/4" (2000mm)	79" (2006mm)	"	65 9/16" (1656mm)
Sully 2200 (2205mm)	LH2400	94 1/2" (2400mm)	94 3/4" (2406mm)	"	80 15/16" (2056mm)