

Fourneau

«*Rully*»

SPECIFICATIONS

WARNING: If the information in this manual is not followed exactly, a fire or explosion may result causing property damage, personal injury or death.

- Do not store or use gasoline or other flammable vapors and liquids in the vicinity of this or any other appliance.
- **WHAT TO DO IF YOU SMELL GAS.**
 - Do not try to light any appliance.
 - Do not touch any electrical switch.
 - Do not use any phone in your building.
 - Immediately call your gas supplier from a neighbor's phone. Follow the gas supplier's instructions.
 - If you cannot reach your gas supplier, call the fire department.
- Installation and service must be performed by a qualified installer, service agency or the gas supplier.



WARNING:
THIS RANGE CAN TIP
INJURY TO PERSONS COULD RESULT
INSTALL ANTI-TIP DEVICE PACKED
WITH RANGE
SEE INSTALLATION INSTRUCTIONS





SPECIFICATIONS

RULLY

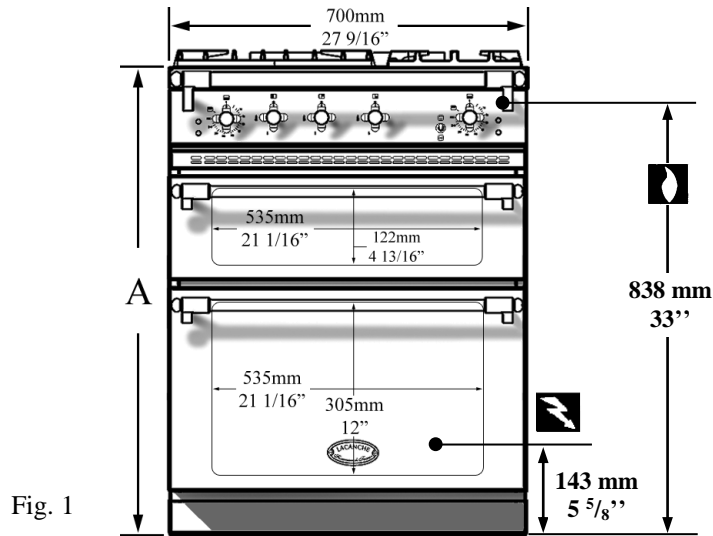


Fig. 1

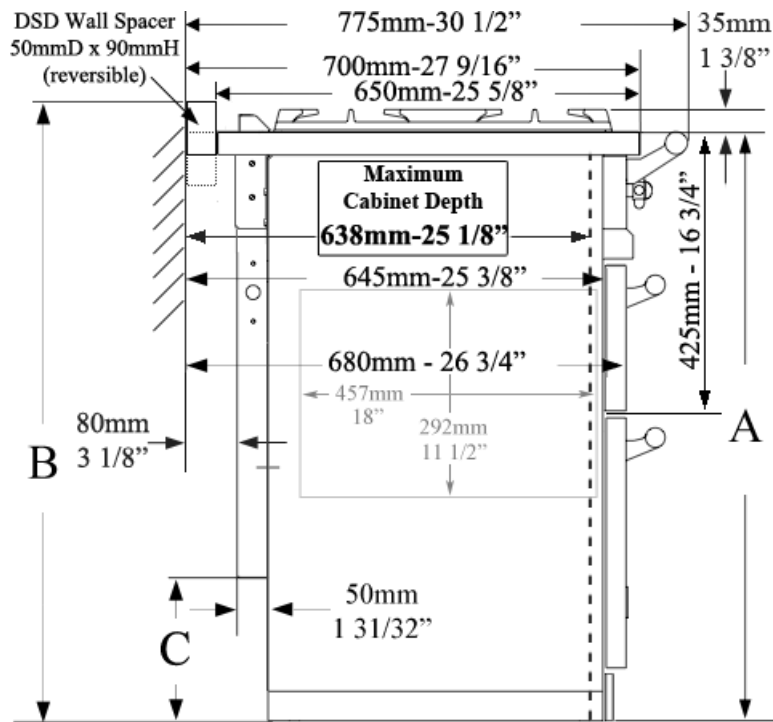


Fig. 2

The range Height is adjustable:
Refer to the RANGE HEIGHT TABLE

| RANGE HEIGHT TABLE | | | |
|---|----------------------------------|------------------|-----------------|
| The default range height of 35 3/8" will adjust to the standard countertop height of 36" using the included extended leveling feet provided (to a maximum height of 36 1/2") | | | |
| Range Height: | A | B | C |
| Default | 900mm – 35 3/8" (Max 36 1/2") | 950mm – 37 3/8" | 215mm – 8 7/16" |
| Optional | 930mm – 36 5/8" (Max 37 3/4") | 980mm – 38 9/16" | 245mm – 9 5/8" |
| All final range height dimensions are variable with the use of the adjustable range feet. Maximum added height for the Roller Feet: 16mm - 5/8", Extended Leveling Feet : 30mm – 1 3/16" | | | |



SPECIFICATIONS

RULLY

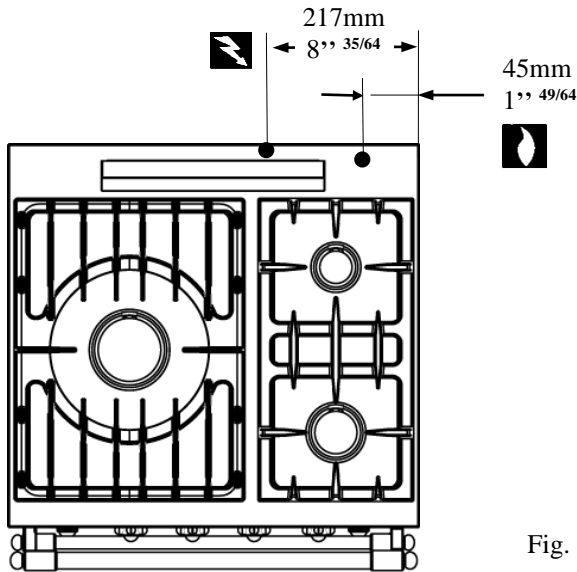


Fig. 3

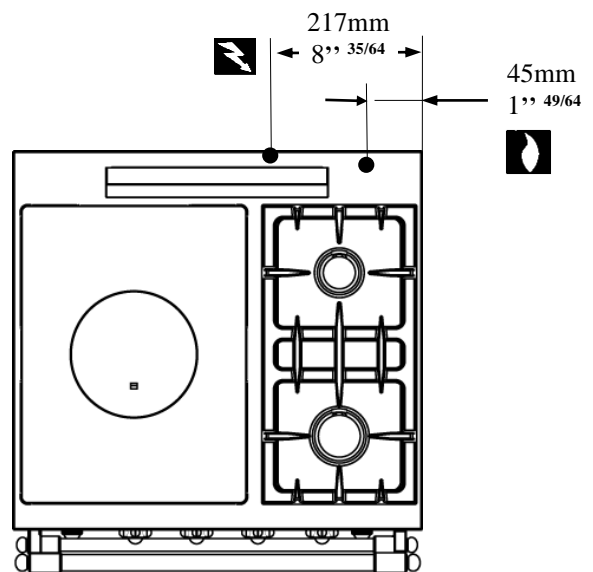


Fig. 4

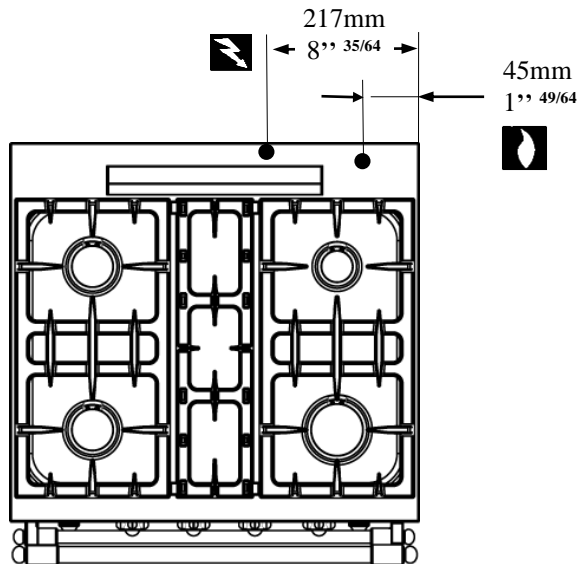
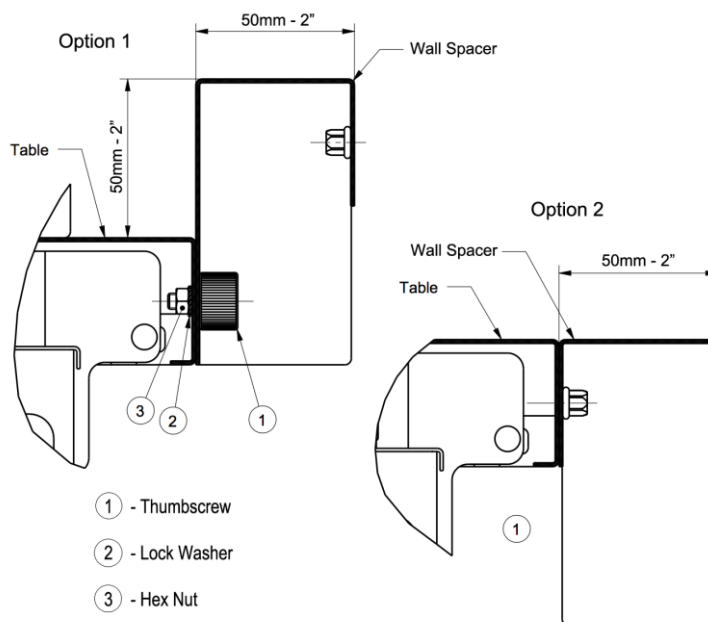


Fig. 5

DSD 50mm Wall Spacer (reversible):





SPECIFICATIONS

RULLY

Layout:

3- or 4-burner cook's stove above a 68 litre/2.40 ft³ oven and a 35 litre/1.24 ft³ oven (fig.1 & 2).

Description:

Enamelled steel or stainless body panels AISI 430. Pressing cooking surface (stainless steel AISI 304) (Figures 3, 4 and 5). 3- or 4- burners of different size and power individually controlled by a thermocouple safety valve. Electronic spark ignition. TRADITION" model equipped with a 385 x 510 mm (15 5/32" x 20 5/64") heating plate (Figure 4).

Electric Petite Grill Oven:

Enamelled sheet metal. Dimensions W x D x H: 400 (15 47/64") x 440 (17 5/16") x 145 (5 45/64"), 35 litres/1.24 ft³, 1 shelf level. Thermostatically controlled heating elements, safety cut-out by safety thermostat.

Oven: **1800 Watt** bottom-only element, **2850 Watt** broil element.

Rating: 2850 W – Power supply: 240 Volts 60Hz.

Multifunction Electric Oven:

Dimensions W x D x H: 535 (21 5/8") x 420 (16 27/64") x 265 (10 27/64"); 68 litres/ 2.40 ft³, 3 shelf level with 70 mm spacing.

Electric grill with a rating of 2850 W

Function static electric oven:

One 1700 W element at the base and a peripheral 1200 W element in the roof which operate simultaneously. Thermostatically controlled roof and base heating elements, safety cut-out by safety thermostat.

Rating: 2900 W – Power supply: 240 Volts 60Hz.

Function ventilated electric oven:

Heating provided by one circular 2650 W element and one peripheral of 1200 W element.. Thermostatically controlled heating elements, safety cut-out by safety thermostat.

Rating: 2650 W – Power supply: 240 Volts 60Hz.

Accessories:

Main oven: one drip pan, two wire racks, pastry sheet

Petite grill oven: drip pan, broiler rack insert

Shipment-Packaging:

Unpack and check the appliance is in good condition. In case of damage, note any reservations on the delivery note and report them within 7 days to your retailer/distributor to be claimed on shippers insurance.

| Appliance | Width | Depth | Height mm | Weight Gross/Net |
|----------------|-----------------|----------------|-----------------|--------------------------------|
| LG 732/ LG 742 | 1250 mm / 49,2" | 840 mm / 33.1" | 1070 mm / 42.1" | 140 kg / 160 kg - 310 / 355 lb |

Gas connection:

1/2" ID NPT (Sch 40) inlet, on male coupling (Figures 1, 3, 4, 5). Sealant on all pipe joints must be resistive to LP gas.

If used, a flex gas line for the gas supply must be metal of at least 1/2" ID NPT approved by an approved certifying agency (A.G.A., C.G.A., etc.) in compliance with ANSI Z21.41 and Z21.69. Never use a hose made of rubber or other synthetic material.

Electrical connection:

On the terminal block at the rear of the appliance (Figure 6). Use flexible cord in accordance with standard N.E.C., ANSI/NEMA 70-1996 or latest edition (not cord provided by factory) (Location on Figures 1, 3, 4, and 5).

Appliance power cord is installed by the importer/distributor. Do not remove installed power cord.

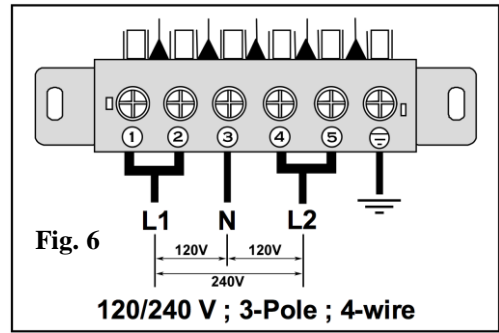


SPECIFICATIONS

RULLY

Power Specifications for Rully Ranges

| RULLY | Voltage (V) | Amperage (A) | Wattage (W) |
|-----------|-------------|--------------|-------------|
| ULG732E | 120 / 240 | 24.2 | 5802 |
| ULG742E | 120 / 240 | 24.2 | 5802 |
| ULG732CT | 120 / 240 | 23.2 | 5552 |
| ULG742CT | 120 / 240 | 23.2 | 5552 |
| ULCF732E | 120 / 240 | 24.2 | 5802 |
| ULCF732CT | 120 / 240 | 23.2 | 5552 |



GAS SUPPLY:

Appliance gas type can be switched, please refer to rating plate and marking at the rear of the appliance. If specified at the time of the order, the appliance is built to use the gas type specified. No further work is necessary.

Pressures and hourly consumption:

Appliance gas supplying can be switched (table 1).

| PRESSURE | 6'' WC | 10'' WC |
|-------------------------------|-------------|----------|
| GAS | Natural Gas | L.P. |
| Burner | Btu / hr | Btu / hr |
| Ultra fast (UF) Tradition (T) | 18000 | 17000 |
| Intensive (I) | 15000 | 13000 |
| Fast (F) | 11000 | 10000 |
| Semi fast (SF) | 5000 | 5000 |

