

Fourneau

«*Cormatin*»

SPECIFICATIONS

WARNING: If the information in this manual is not followed exactly, a fire or explosion may result causing property damage, personal injury or death.

- Do not store or use gasoline or other flammable vapors and liquids in the vicinity of this or any other appliance.
- **WHAT TO DO IF YOU SMELL GAS.**
 - Do not try to light any appliance.
 - Do not touch any electrical switch.
 - Do not use any phone in your building.
 - Immediately call your gas supplier from a neighbor's phone. Follow the gas supplier's instructions.
 - If you cannot reach your gas supplier, call the fire department.
- Installation and service must be performed by a qualified installer, service agency or the gas supplier.



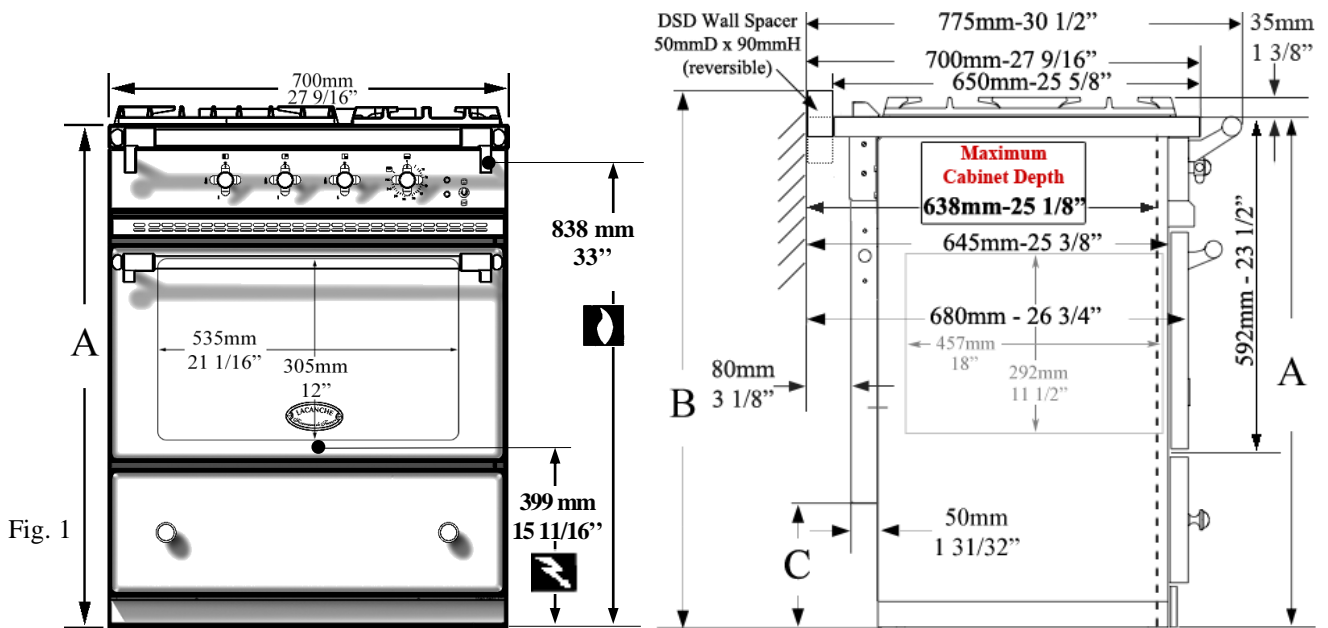
WARNING:
THIS RANGE CAN TIP
INJURY TO PERSONS COULD RESULT
INSTALL ANTI-TIP DEVICE PACKED
WITH RANGE
SEE INSTALLATION INSTRUCTIONS





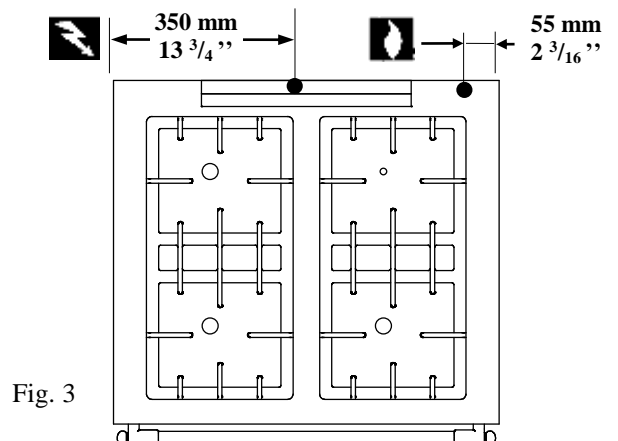
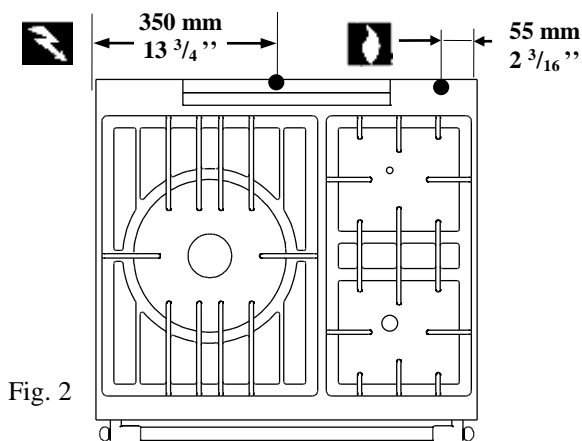
SPECIFICATIONS

CORMATIN



**The range height is adjustable:
Refer to the RANGE HEIGHT TABLE**

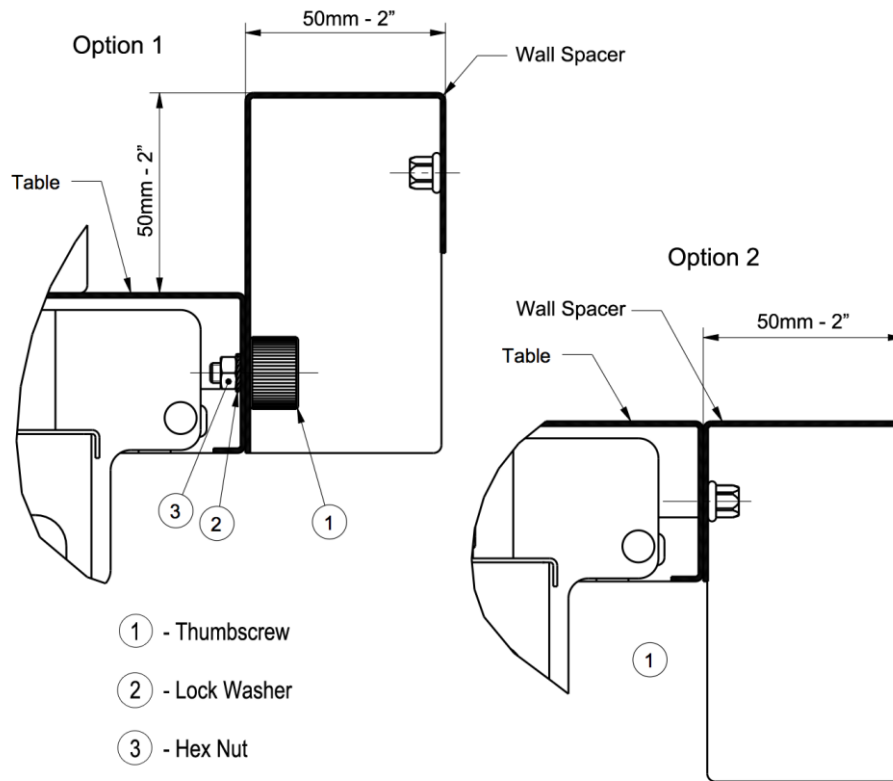
RANGE HEIGHT TABLE			
The default range height of 35 3/8'' will adjust to the standard countertop height of 36'' using the included extended leveling feet provided (to a maximum height of 36 1/2'')			
Range Height:	A	B	C
Default	900mm – 35 3/8'' (Max 36 1/2'')	950mm – 37 3/8''	215mm – 8 7/16''
Optional	930mm – 36 5/8'' (Max 37 3/4'')	980mm – 38 9/16''	245mm – 9 5/8''
All final range height dimensions are variable with the use of the adjustable range feet. Maximum added height for the <u>Roller Feet</u> : 16mm - 5/8'', <u>Extended Leveling Feet</u> : 30mm – 1 3/16''			





SPECIFICATIONS CORMATIN

DSD 50mm Wall Spacer (reversible):





SPECIFICATIONS

CORMATIN

Layout:

3- or 4-burner cook's stove (Figure 1), G.N 1/1 oven (Figures 1, 2 & 3).

Description:

Cooking surface and body panels:

Enamelled steel or stainless body panels AISI 430. Pressing cooking surface (stainless steel AISI 304) (Figures 2 and 3). 3- or 4- burners of different size and power individually controlled by a safety valve. Electrical ignition. TRADITION" model equipped with a 385 x 510 mm (15 ⁵/₃₂" x 20 ⁵/₆₄") heating plate.

Gas oven:

Enamelled sheet metal. Dimensions L x D x H: 535 mm (21¹/₁₆") x 465 mm (18¹⁹/₆₄") x 300 mm (11⁵/₆₄"). 3 shelf level with 70 mm spacing, 69 liters / **2.44** ft³. Heating provided by thermostatically controlled burner, thermocouple safety cut-outs. Electrical ignition.

Power supply: 120 VAC 60Hz.

Multifunction electric oven:

Dimensions L x D x H: 535 (21¹/₁₆") x 420 (16¹⁷/₅₂") x 265 (10²⁷/₆₄"); 68 litres/ **2.40** ft³, 3 shelf level with 70 mm spacing

Electric grill with a rating of 2850 W

Function static electric oven:

One 1700 W element at the base and a peripheral 1200 W element in the roof which operate simultaneously.

Thermostatically controlled roof and base heating elements, safety cut-out by safety thermostat.

Rating: 2900 W – Power supply: 240 Volts 60Hz.

Function ventilated electric oven:

Heating provided by one circular 2650 W element and one peripheral of 1200 W element.

Thermostatically controlled heating elements, safety cut-out by safety thermostat.

Rating: 2650 W – Power supply: 240 Volts 60Hz.

Accessories:

Main Oven: One drip tray, one shelf, one pastry tray per oven.

Shipment-Packaging:

Unpack and check the appliance is in good condition. In case of damage, note any reservations on the delivery note and report them within 7 days to your retailer/distributor to be claimed on shippers insurance.

Appliance	Width	Depth	Height mm	Weight Gross/Net
LG 731 G	850 mm / 33.4"	840 mm / 33.1"	1070 mm / 42.1"	105 kg / 89 kg – 233 / 197 lb

Gas connection:

1/2" ID NPT (Sch 40) inlet, on male coupling (Figures 1, 2 and 3). Sealant on all pipe joints must be resistive to LP gas. If used, a flex gas line for the gas supply must be metal of at least 1/2" ID NPT approved by an approved certifying agency (A.G.A., C.G.A., etc.) in compliance with ANSI Z21.41 and Z21.69. Never use a hose made of rubber or other synthetic material.

Electrical connection:

On terminal block at the rear of the appliance. Use flexible cord in accordance with standard N.E.C., ANSI/NEMA 70-1996 or latest edition (not cord provided by factory) (Location on Figures 1, 2 & 3).

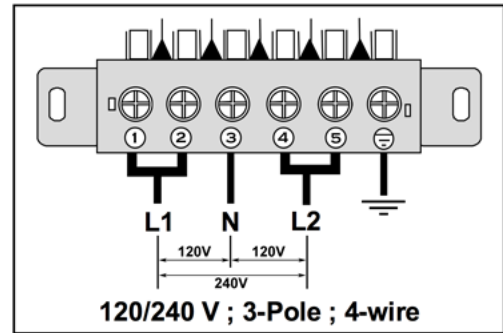
Appliance power cord is installed by the importer/distributor. Do not remove installed power cord.



SPECIFICATIONS CORMATIN

Power Specifications for Cormatin Ranges

CORMATIN	Voltage (V)	Amperage (A)	Wattage (W)
ULG731G	120 / 240	< 0.5	< 100
ULG741G	120 / 240	< 0.5	< 100
ULG731E	120 / 240	12.1	2902
ULG741E	120 / 240	12.1	2902
ULG731CT	120 / 240	11.1	2652
ULG741CT	120 / 240	11.1	2652
ULCF731G	120 / 240	< 0.5	< 100
ULCF731E	120 / 240	12.1	2902
ULCF731CT	120 / 240	11.1	2652



Gas supplying:

Appliance gas supplying can be switched, please refer to rating plate and marking at the rear of the appliance. If specified at the time of the order, the appliance is built to use the gas type specified. No further work is necessary.

Pressures and hourly consumption:

Appliance gas supplying can be switched (table 1).

PRESSURE	6'' WC	10'' WC
GAS	Natural Gas	G.P.L.
Burner	Btu / hr	Btu / hr
Oven	13500	11000
Ultra fast (UF) Tradition (T)	18000	17000
Intensive (I)	15000	13000
Fast (F)	11000	10000
Semi fast (SF)	5000	5000

