

Fourneau

«*Beaune*»

«*Bussy*»

INSTALLER'S MANUAL

Appliances must be installed in a workmanlike manner in accordance with the instructions in this manual and locally applicable regulations.

This manual will be handed over to the user after installation.



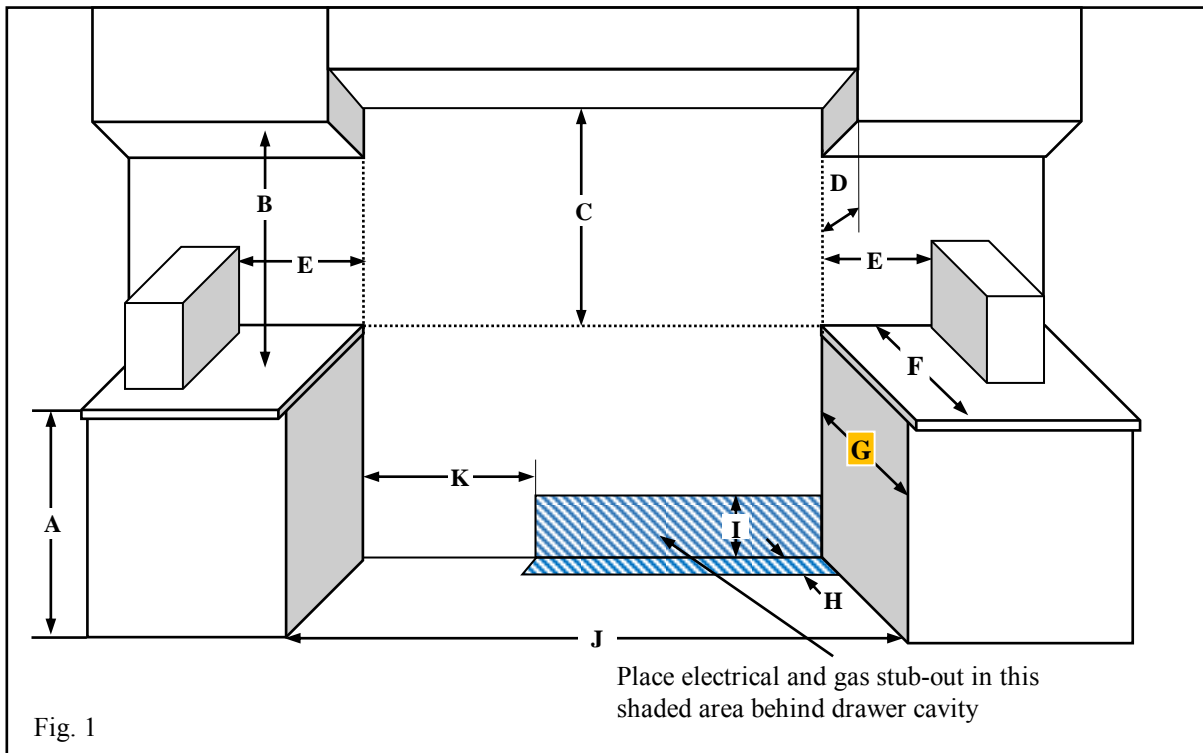




INSTALLATION MANUAL

BEAUNE - BUSSY

☛ Cabinet preparation (BUSSY):



ALL DEPTH MEASUREMENTS BELOW ARE WITH A 50mm (2") RANGE SPACER INSTALLED:

Range Height	A (min*)	B	C	D	E	F (max)	G (max)	H	I	J	K
Default	900mm 35 3/8"	457mm 18"	914mm 36"	330mm 13"	50mm 2"	700mm 27 9/16"	638mm 25 1/8"	132mm 5 3/16"	215mm 8 7/16"	905mm 35 3/4"	400mm 15 3/4"
Optional	930mm 36 5/8"										

*All final range height dimensions are variable with the use of the adjustable range feet.
Maximum added height for the Roller Feet: 16mm - 5/8", Extended Leveling Feet : 30mm - 1 3/16"

A flexible metal gas line, and a flexible power cord should be used to attach the range to the gas and electrical utility connections behind the range. When installed, the range wall spacer allows a 130mm (5 1/4") deep gap to run the utility lines behind the range chassis.

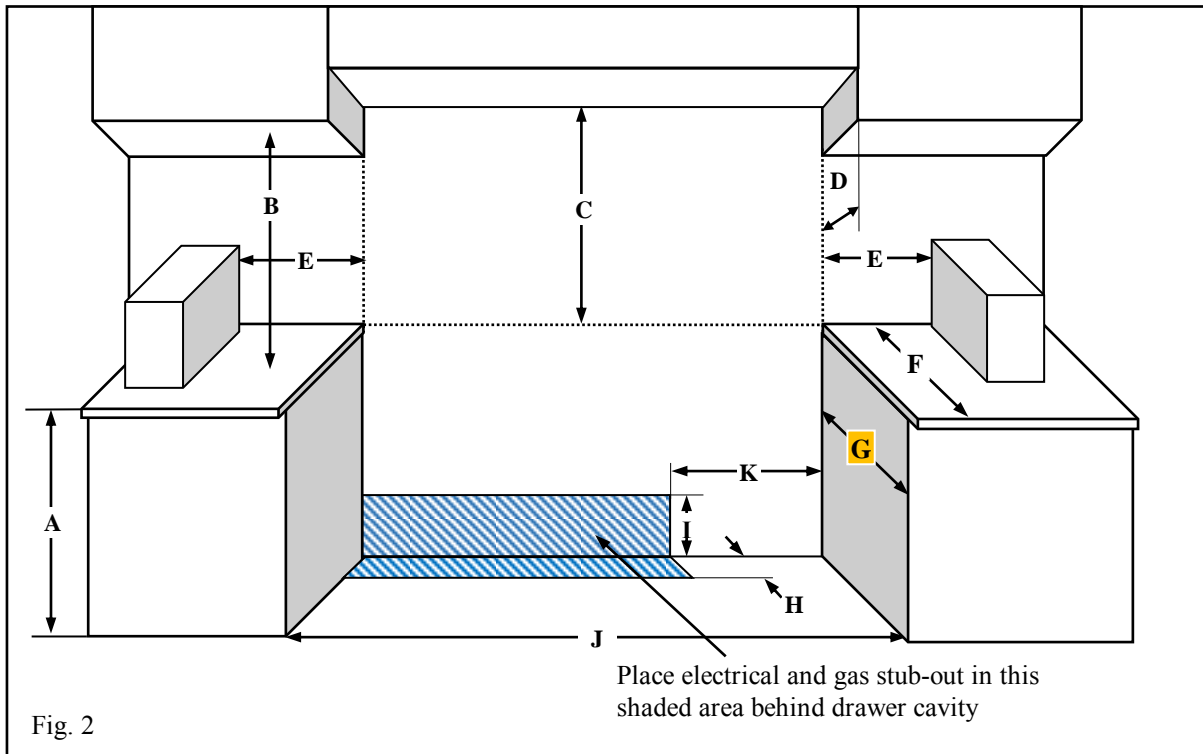
- The range is a free standing unit. If the unit is to be placed next to cabinets, the clearances shown in Figure 1 & 2 are required.
- The range cooktop surface must be no lower than the adjacent base cabinet countertop surface.
- Min clearances to combustibles:
 - 0" (0 mm) from rear (with spacer installed).
 - 0" (0 mm) from sides **below** countertop surface height.
 - 2" (51 mm) from sides **above** countertop surface height.
 - Cabinets 13" (330 mm) deep may be installed above the range at least 30" above the plane of the cooking surface.
- Use range only with factory supplied legs.



INSTALLATION MANUAL

BEAUNE - BUSSY

🔧 Cabinet preparation (BEAUNE):

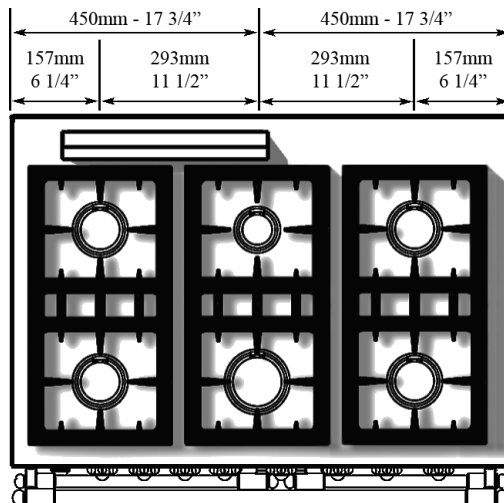


ALL DEPTH MEASUREMENTS BELOW ARE WITH A 50mm (2") RANGE SPACER INSTALLED:

Range Height	A (min*)	B	C	D	E	F (max)	G (max)	H	I	J	K
Default	900mm 35 3/8"	457mm	914mm 36"	330mm 13"	50mm 2"	700mm 27 9/16"	638mm 25 1/8"	132mm 5 3/16"	215mm 8 7/16"	905mm 35 3/4"	400mm 15 3/4"
Optional	930mm 36 5/8"	18"									

*All final range height dimensions are variable with the use of the adjustable range feet.
 Maximum added height for the Roller Feet: 16mm - 5/8", Extended Leveling Feet : 30mm - 1 3/16"

Potfiller Locations:





INSTALLATION MANUAL

BEAUNE - BUSSY

IMPORTANT

- **Recommended to be installed under an exhaust hood.**
- **In the commonwealth of Massachusetts, the appliance must be installed by a licensed plumber or gas fitter.**
- **Do not install this unit near combustible walls, partitions, pieces of furniture or decorative material unless these are covered by adequate material of the non-combustible type.**
- **Make sure the resulting installation meets fire regulations.**

IMPORTANT

- **THE APPLIANCE MUST BE INSTALLED IN ACCORDANCE WITH THE LOCAL CODES OR *National Fuel Gas Code, ANSI Z223.1 or latest edition.***

IMPORTANT

- **Manual shut-off valve should be installed in an accessible location in the gas piping external to the appliance for the purpose of turning on or shutting off gas to the appliance. A location at the back of an adjacent cabinet is recommended.**

☞ Before connection:

Check:

- Pipework is perfectly clean in order to prevent the injectors becoming blocked and malfunctioning of the magnetic heads.
- The gas for which the appliance was set up: Check rating plate and markings.
- Cross-sectional area of gas supply pipework is compatible with the appliance's thermal output.
- Provide adequate air supply during use of the appliance.

☞ Gas connection:

Female coupling Ø 15/21, 1/2" ID NPT on A (Figure 3).

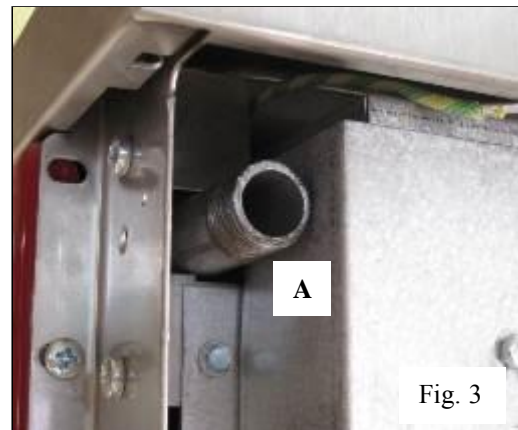


Fig. 3

☞ After connection:

Check the manifold pressure on pressure connection Ø 15/21, 1/8" NPT on B (Figure 4).

☞ Change of gas:

The appliance is designed to operate with the gases in Table 2.

Table 2		
Country	GAS	Pressure (Pn)
U.S.	Natural gas	6" WC
U.S.	L.P. propane	10" WC

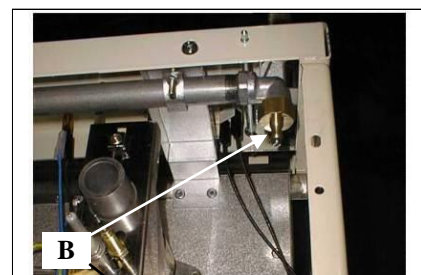
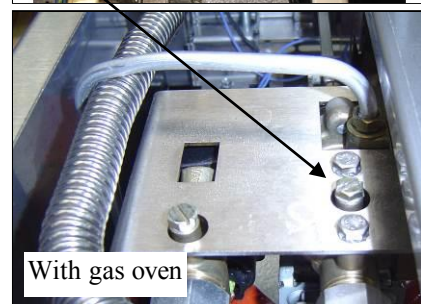


Fig. 4



With gas oven

If specified at the time of the order, the appliance will be built to use the specified gas type. No further work is required.

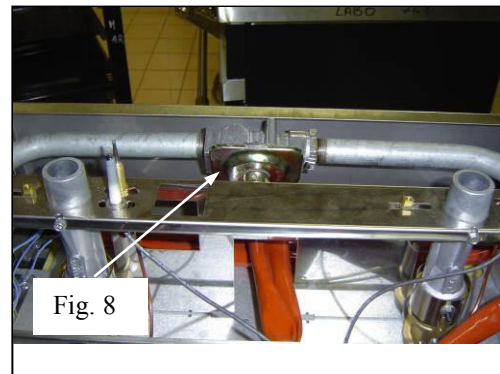
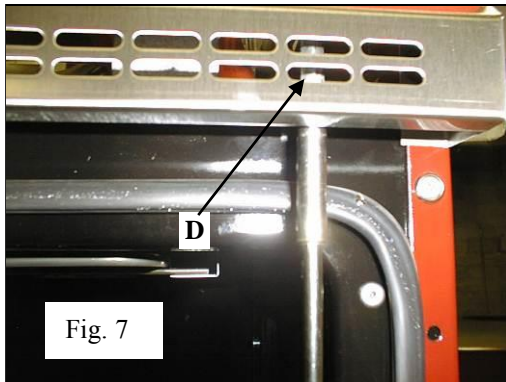
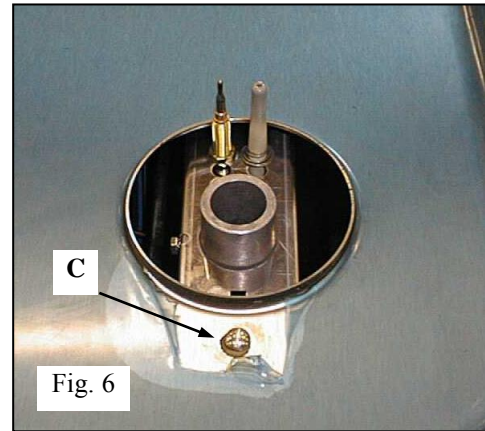
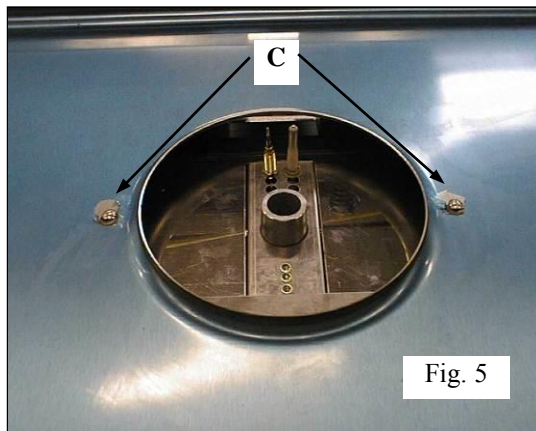


INSTALLATION MANUAL

BEAUNE - BUSSY

Unscrew the screws **C** near the burner openings (Figures 5 and 6). Pull and raise the top after having loosened the 2 screws **D** (Fig. 7), then prop up the cooking surface.

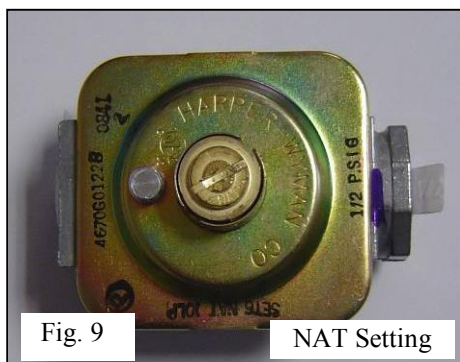
A pressure regulator (fig. 8) is located in the right rear corner under the hob, to gain access to the pressure regulator, remove the top.



Convertible regulator (Fig. 8):

The reversible cap is labeled either « LP » or « NAT » and is easily recognized by the raised center screw slot (for natural) or the center depth (for LP).

To change LP to Natural or vice versa, the seal screw in the regulator lid is unscrewed, reversed and reinstalled to convert from one setting to another (Figure 9, 10).





INSTALLATION MANUAL

BEAUNE - BUSSY

In case of use with a gas other than that for which the appliance was initially set up, it is **crucial** to replace the orifices and modify the adjustments as defined below.

TOP BURNERS

Orifice

Lift the air ring **E**. Replace the injectors **F** in accordance with Table 3 and Figure 11 (\varnothing in 1/100 mm).

The side burner bodies are kept in place by a transversal bar (**H**, fig. 13). In order to take them out, unscrew screws **I** (fig. 14) then **G** (fig. 12).

Note: When one or more nozzles are changed, the sealing ring should be changed as well (see gas circuit diagram).

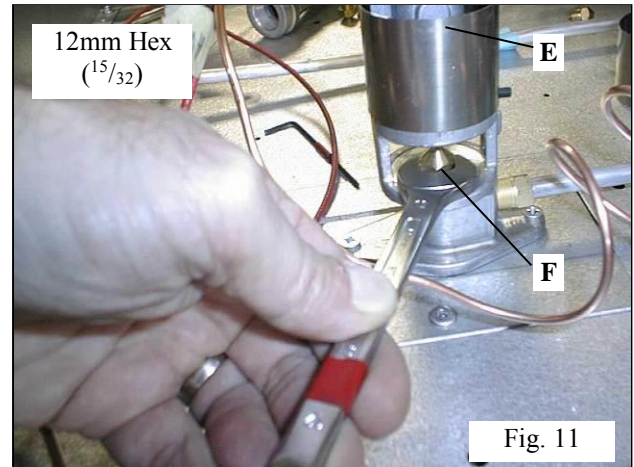


Fig. 11

Adjustment of primary air

Put body & cap back on their respective burners, set air ring **E** by sliding it from bottom to top (fig. 11, Table 4).

Note: Normal flames are bluish green except for natural gas flames which are violet.

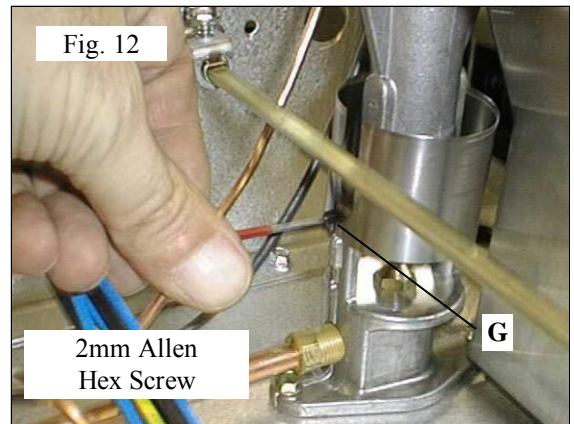


Fig. 12

2mm Allen Hex Screw

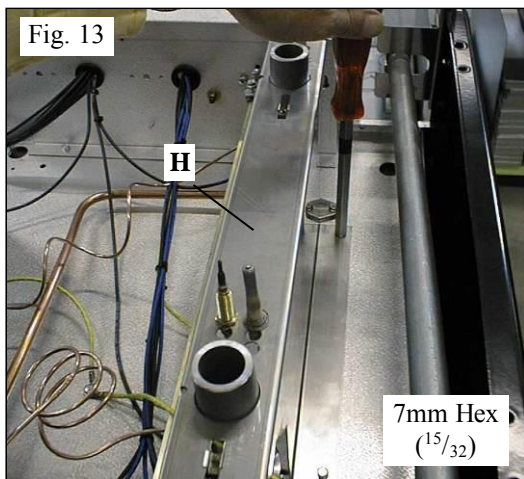


Fig. 13

7mm Hex (15/32)

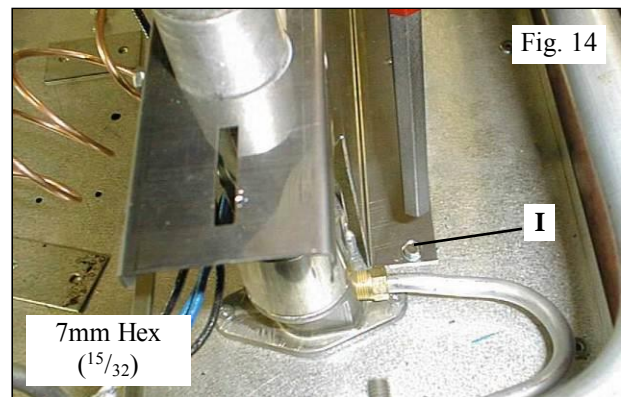


Fig. 14

7mm Hex (15/32)

Table 3

Top burners		5000	11000	15000	18000
GAS	Pressure				
Natural gas	6" WC	0.90	1.30	1.45	1.70
L.P. propane	10" WC	0.65	0.90	1.05	1.20

Table 4

Top burners		5000	11000	15000	18000
GAS	Pressure	Opening / inches			
Natural gas	6" WC	2,5 / 1/8	2,5 / 1/8	max	7 / 1/4
L.P. propane	10" WC	3,5 / 1/8	max	max	max



INSTALLATION MANUAL

BEAUNE - BUSSY

☞ Low Flame Adjustment (Figure 15):

After connection or change of gas type and burner air adjustment, it is **crucial** to modify this adjustment.

- Remove the control knob. Light the burner, adjust to minimum setting, then use a small screwdriver to set the adjusting screw **J**.

Note: Flame is reduced to $\frac{1}{4}$ of its size in the minimum setting, the burner must remain lit when changing from maximum setting to minimum setting.

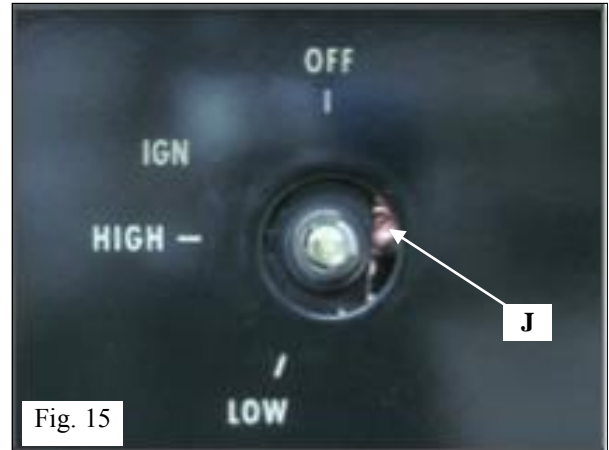


Fig. 15

☞ Refitting the cooking surface:

When refitting the cooking surface, it is vital to tighten fastening screws **C** (figures 5 and 6). Failure to do so can cause distortion of the cooking surface.

OVEN BURNERS:

Disassembling of the gas oven burner:

Withdraw the plate (Fig.16).

CAUTION: when refitting, place the base front underneath the groove on the fascia (fig.17).

Unscrew screw **K** holding the burner (Fig.18).

Remove the drawer.

Unscrew the two flathead screws **L** (Fig.18). Remove screen under gas oven (Fig.19).

Unscrew screw **M** on the orifice holder (Fig. 20).

Push the burner towards the back of the oven cavity and to raise it to release it.

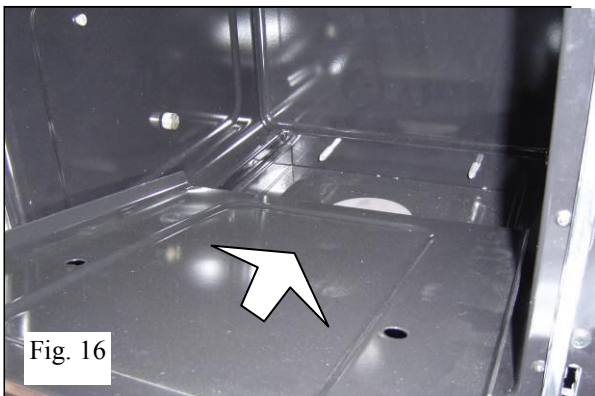


Fig. 16

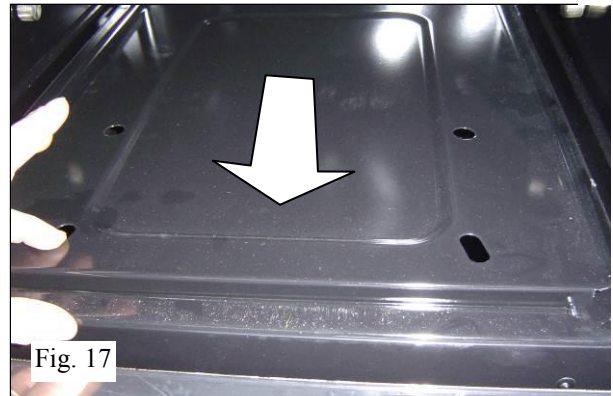


Fig. 17

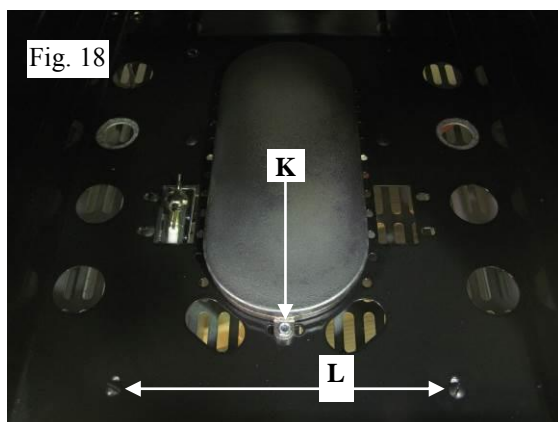


Fig. 18



Fig. 19



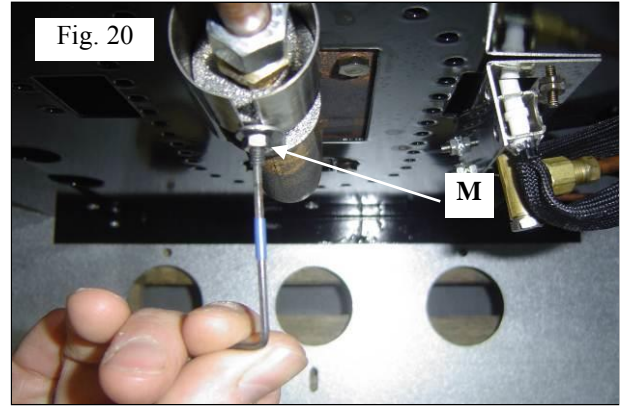
INSTALLATION MANUAL

BEAUNE - BUSSY

☞ Oven Orifice:

To replace oven orifice:

Remove oven baseplate. **CAUTION:** when refitting place the base underneath the groove on the fascia (Figures 16 and 17). Remove screws **L** (Figure 18). Remove the screen below the oven (Figure 19). Loosen screw **M** then slide open the burner air collar towards the front of the oven (Figure 20). Replace the orifice (Table 5).



☞ Pilot burner orifice:

Change the pilot burner orifice:

Remove slotted cap at bottom of pilot burner assembly.

Unscrew pilot injector. Replace new injector (Table 5), screw in completely until injector bottoms out. Replace cap screw.

Gas pilot **LP:** 65.103032

Gas pilot **NG:** 65.103031

Table 5			
		Ø	
GAS	Pressure	Gas oven	Pilot burner
Natural gas	6" WC	1.40	0.45
L.P. propane	10" WC	0.95	0.25

☞ Adjustment of oven primary airflow:

Remove the base, unscrew the screw **M** holding the burner (Fig.20).

Adjust the air ring (Table 6, Figure 21).

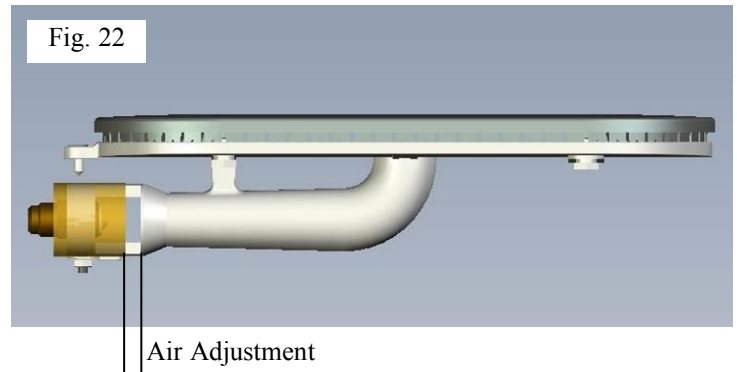
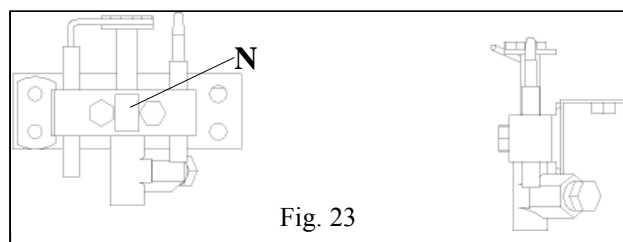


Table 6		
		Opening in mm / inches
GAS	Pressure	Oven
Natural Gas	6" WC	4 / ³ / ₁₆
L.P. propane	10" WC	6 / ¹ / ₄

☞ Adjusting pilot burner air supply

Turn ring **N** to fully open for Butane/Propane, to half open for natural gas (Fig. 23)





INSTALLATION MANUAL BEAUNE - BUSSY

ELECTRICITY

➤ ALL WORK ON OR REPAIR OF AN APPLIANCE MUST BE CARRIED OUT BY A QUALIFIED INSTALLER.

IMPORTANT

➤ THE APPLIANCE WHEN INSTALLED, MUST BE ELECTRICALLY GROUNDED IN ACCORDANCE WITH THE LOCAL CODES OR *The National Electrical Code, ANSI/NFPA 70-1996 or latest edition.*



It is hazardous to put the appliance into service without connecting it to suitable ground.

No liability can be accepted for accidents resulting from non-compliance with this requirement or incorrect grounding.

Before connection, check that the:

Mains voltage is compatible with the appliance's rated voltage and thermal output.

A power cord has been installed by the importer / distributor. DO NOT remove this cord.

Connection:

- Use a 4-wire rated for **30A** (NEMA 14-30P) or **50A** (NEMA 14-50P) 125 / 250 VAC, type SRD, SRDT, S, SO or ST.
- Where local Codes do not permit grounding through neutral, use a 4-wire power supply cord or "pigtail" kit. Cord must be agency approved for use with household ranges.
- Remove access door **O** (Fig.24: all gas range) or **P** (Fig. 25: gas and electric range).
- Connect to terminal block in accordance with figure 26.
- Secure the cable by means of cable clamp, item **Q** (Fig. 27).
- Refit access door

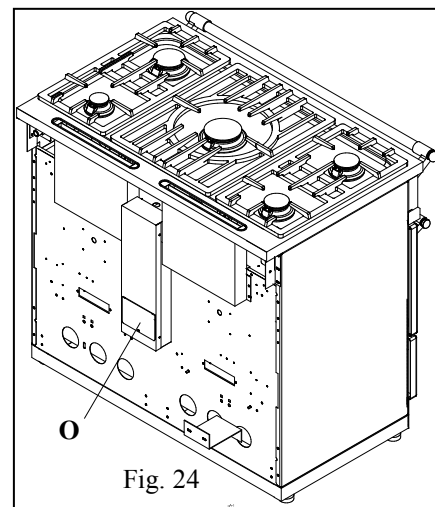


Fig. 24

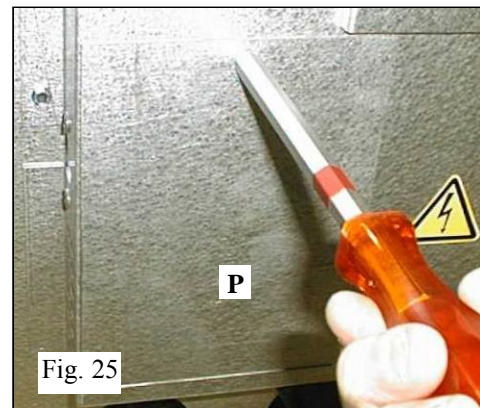


Fig. 25

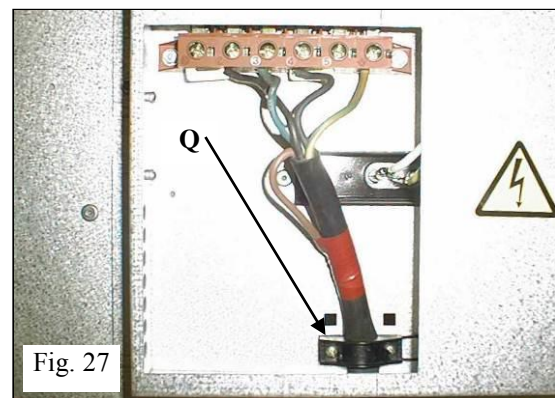
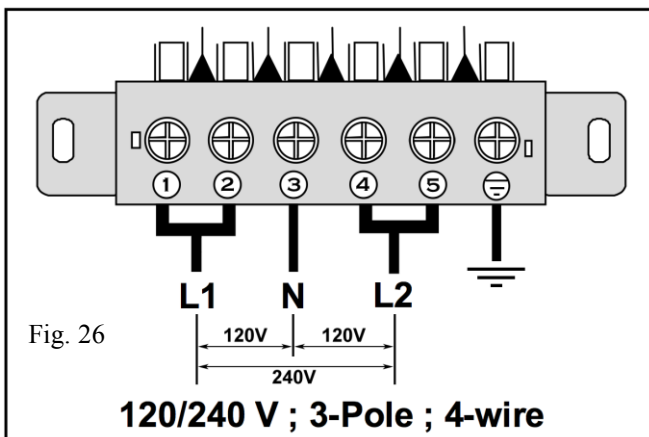


Fig. 27



INSTALLATION MANUAL

BEAUNE - BUSSY

Range Amperages:

Power Specifications for Beaune Ranges

BEAUNE	Voltage (V)	Amperage (A)	Wattage (W)
ULG962G -D	120 / 240	11.2	2672
ULG962E-D	120 / 240	20.3	4872
ULG962CT-D	120 / 240	22.3	5342

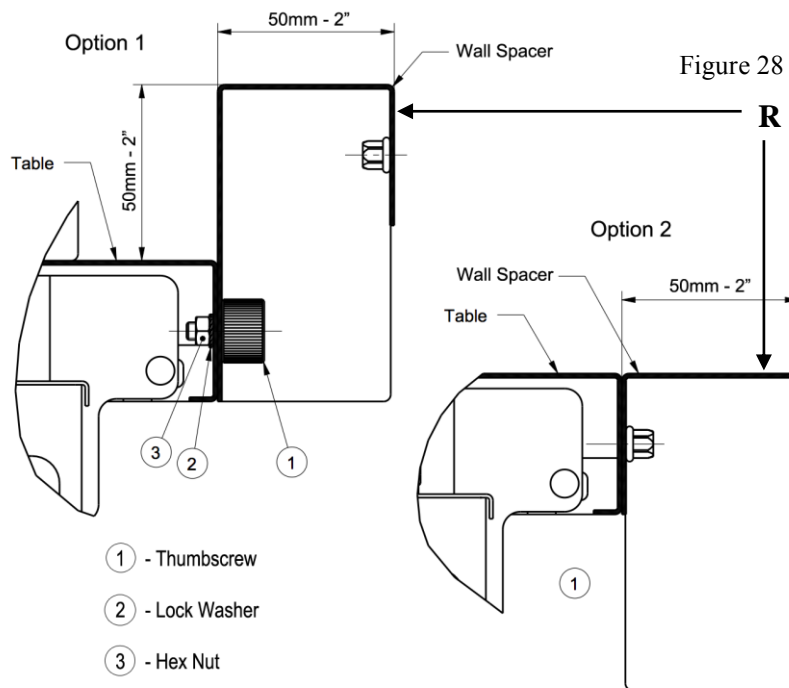
Power Specifications for Bussy Ranges

BUSSY	Voltage (V)	Amperage (A)	Wattage (W)
ULG962G-G	120 / 240	11.2	2672
ULG962E-G	120 / 240	20.3	4872
ULG962CT-G	120 / 240	22.3	5342

BACK SPACER VENT FITTING:

It is mandatory to mount the back spacer vent **R** to the range supplied with the appliance.

Screw the wall spacer to the range according to figure, 28, with the thumbscrews and hardware provided. Then move the range backwards into position. This spacer is reversible to provide a flush-mounted option to slide up against a tile or stone backslash at countertop level.



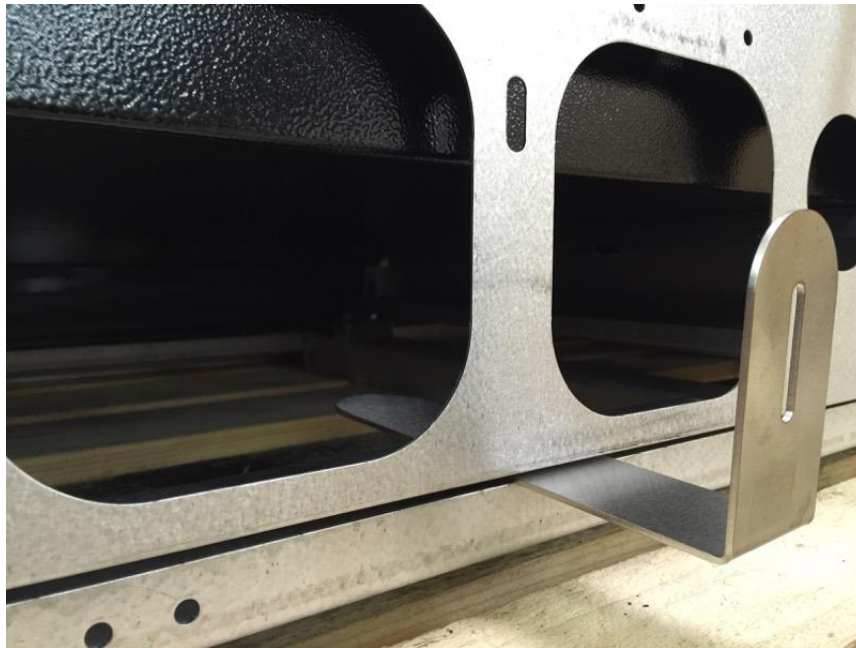


INSTALLATION MANUAL

BEAUNE - BUSSY

STABILITY DEVICE INSTALLATION INSTRUCTIONS:

Anti-tip bracket is designed to fit into the seam formed at the bottom of the range chassis and base plinth as shown in Figure 1. The bracket can be mounted anywhere along the seam that the bracket can be freely inserted (Figure 2). Mounting screws are not provided.



This bracket is designed to be mounted to a load bearing support such as a wall stud. This anti-tip device is designed to only prevent the accidental tipping forward of the range. Depending on the state or municipality, local code may require additional strapping of the appliance to prevent movement in seismic events.





INSTALLATION MANUAL

BEAUNE - BUSSY

SERVICE INSTRUCTIONS:

- Lubricating gas valve.

If the gas taps tends to stick slightly, you may follow this procedure:

- 1 - Shut off the valve and / or the main electrical supply of the unit.
- 2 - Take out the knob corresponding to the gas valve to be greased.
- 3 - Unscrew the head from the body of the burner valve.
- 4 - Grease the tap shaft (High temperature lubricant, for example: SILICAL GEL™ BARBAHL).

Caution! Any excess grease should be removed.

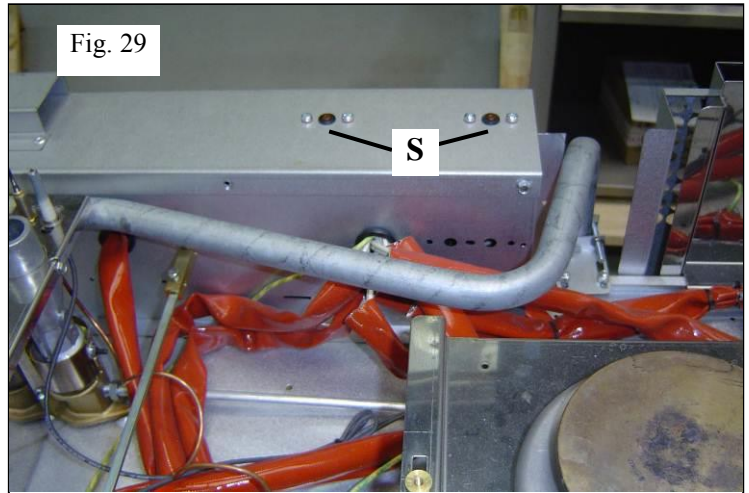
Reverse operation 3 to 1 (in that order) to put valve and knob back on.

- LIMITING THERMOSTAT:

To access internal components. Lift and secure top.

Press pushbutton item **S** (Figure 29) in order to reset the limiting thermostat.

Note: **ALWAYS IDENTIFY** the reason why the thermostat tripped.





INSTALLATION MANUAL

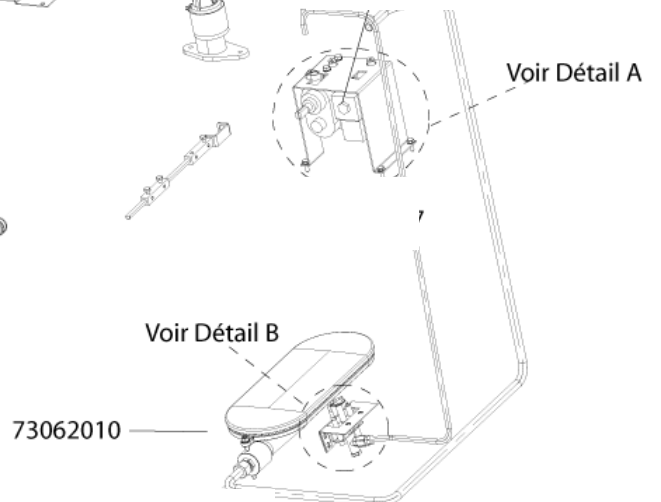
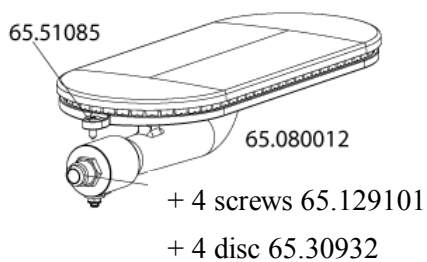
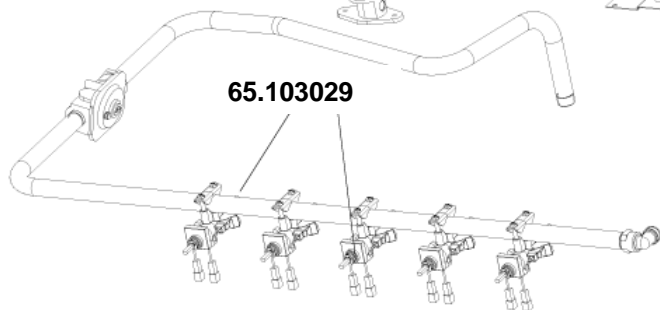
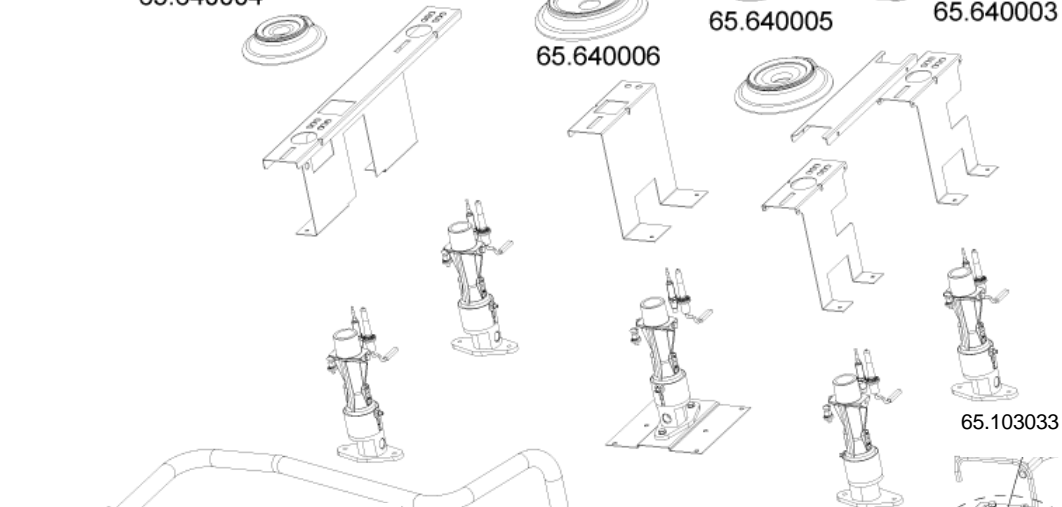
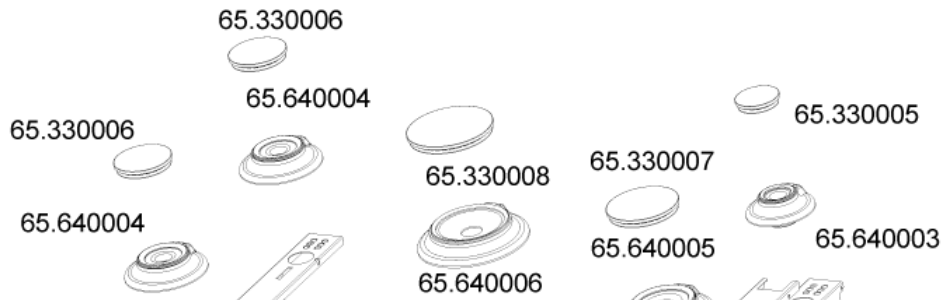
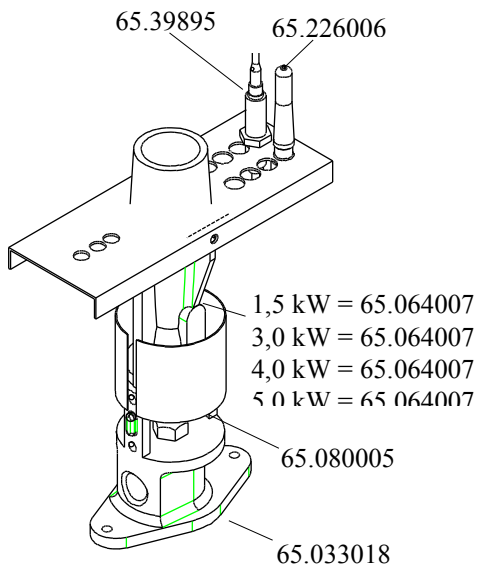
BEAUNE - BUSSY

GAS CIRCUIT DIAGRAMME	
Designation	Part number
Burner cap 1,5 kW	65.330001
Burner cap 3,0 W	65.330002
Burner cap 4,0 kW	65.330003
Burner cap 5,0 kW	65.330004
Burner bowl 1,5 kW	65.640003
Burner bowl 3,0 kW	65.640004
Burner bowl 4,0 kW	65.640005
Burner bowl 5,0 kW	65.640006
Air Shuttler	65.080005
Mixing tube (1,5-3,0-4,0 & 5,0 kW)	65.064007
Injector holder	65.033018
Sealing ring	65.430007
Injector Dia. 65	65.14964
Injector Dia. 90	65.14969
Injector Dia. 95	65.14970
Injector Dia. 105	65.52863
Injector Dia. 120	65.14973
Injector Dia. 130	65.14974
Injector Dia. 140	65.14975
Injector Dia. 145	65.27781
Injector Dia. 170	65.30546
Brass knob (Gas model)	65.044013
Chrome knob (Gas model)	65.044014
Brass knob (Elec. model)	65.044015
Chrome knob (Elec. model)	65.044016
Gas valve	65.103021
GST Thermostat	65.224004
GSS Safety	65.224005
GSP Pilot Spark	65.103.022
Regulator	65.103023
Oven burner assy.	88.265400
Whole extension shaft for valve "PEL"	90000543
Valve shaft extension for "PEL"	59907379
Valve Stem U-Joint	90000853



INSTALLATION MANUAL

BEAUNE - BUSSY



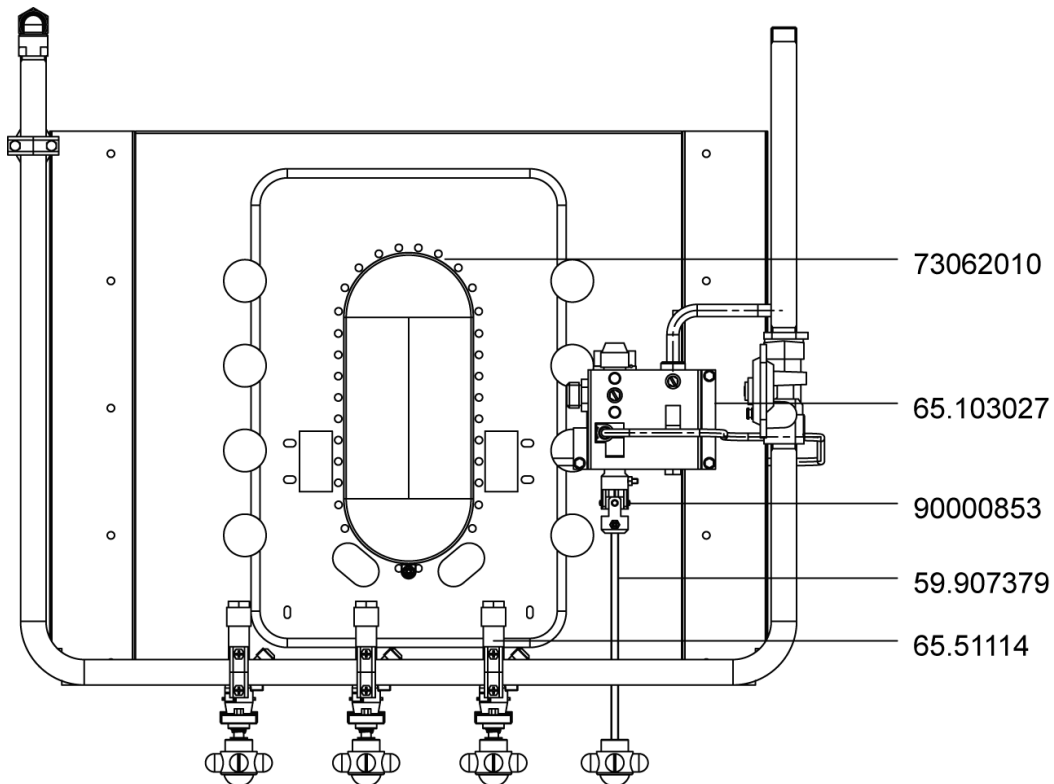
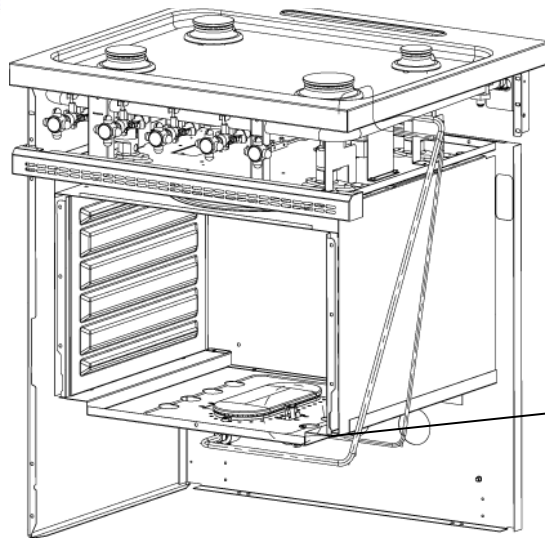
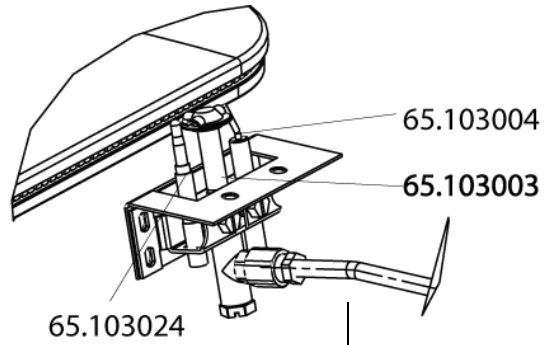
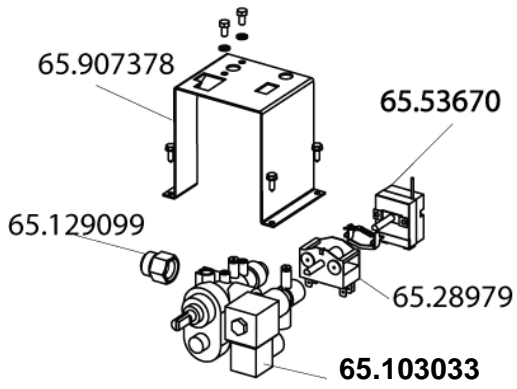


INSTALLATION MANUAL

BEAUNE - BUSSY

Détail A:

Détail B:



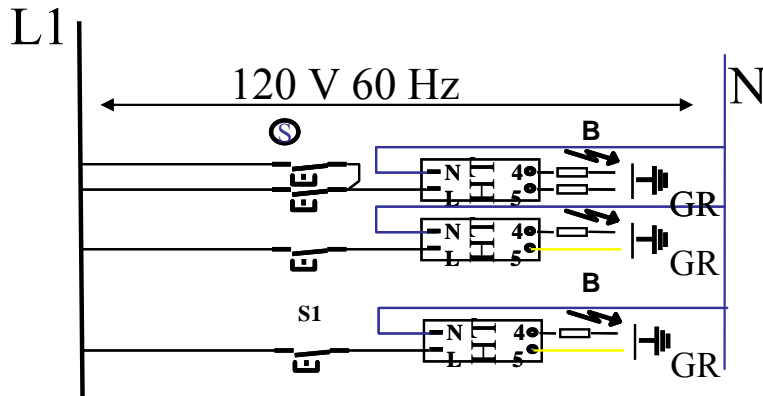


INSTALLATION MANUAL

BEAUNE - BUSSY

ELECTRIC CIRCUIT DIAGRAMMES

Top burners (code A,E,5,N,D,T,I,C,01,02,03,0O,0T) / gas grill (code 0Y)



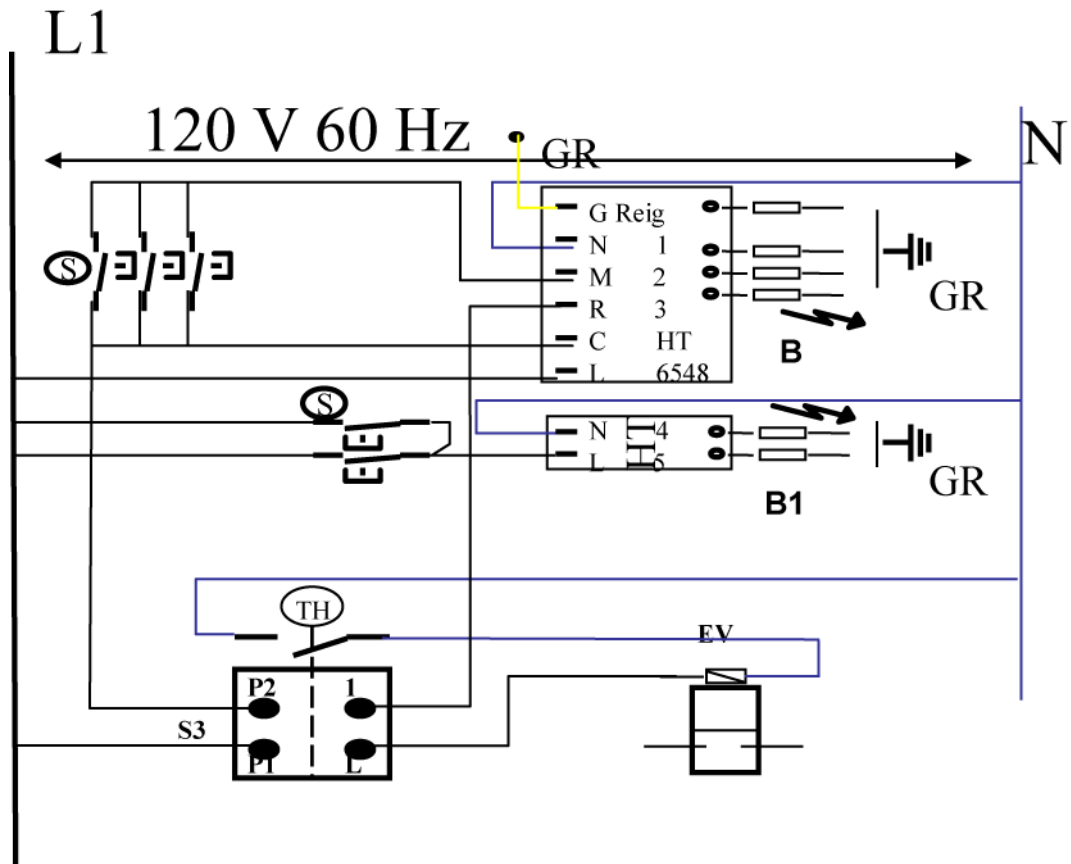
Item n°	Designation	
B	Top burner electrode	65.226006
S1	Switch	65.103030



INSTALLATION MANUAL

BEAUNE - BUSSY

Top burners + gas oven 120 V (code G)



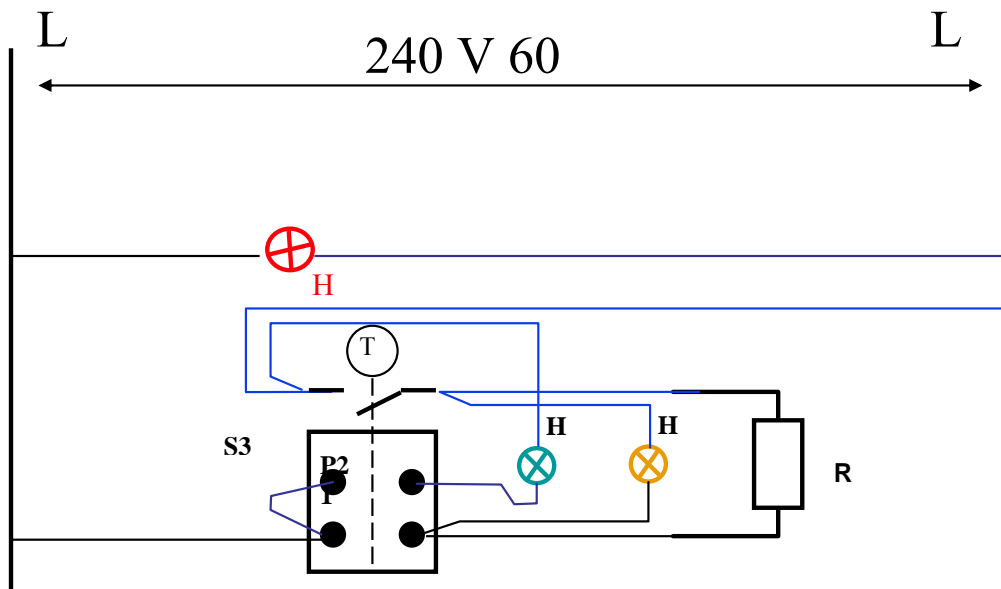
Item n°	Designation	Part number
TH	Oven thermostat	6553670
S	Valve switch	65.222002
S1	Thermostat switch	65.222003
S3	Thermostat switch	65.28979
B	Top burner electrode	65.226006
B1	Oven electrode	65.103004
EV	Gas valve	65.103027



INSTALLATION MANUAL

BEAUNE - BUSSY

heating cupboard (code E)



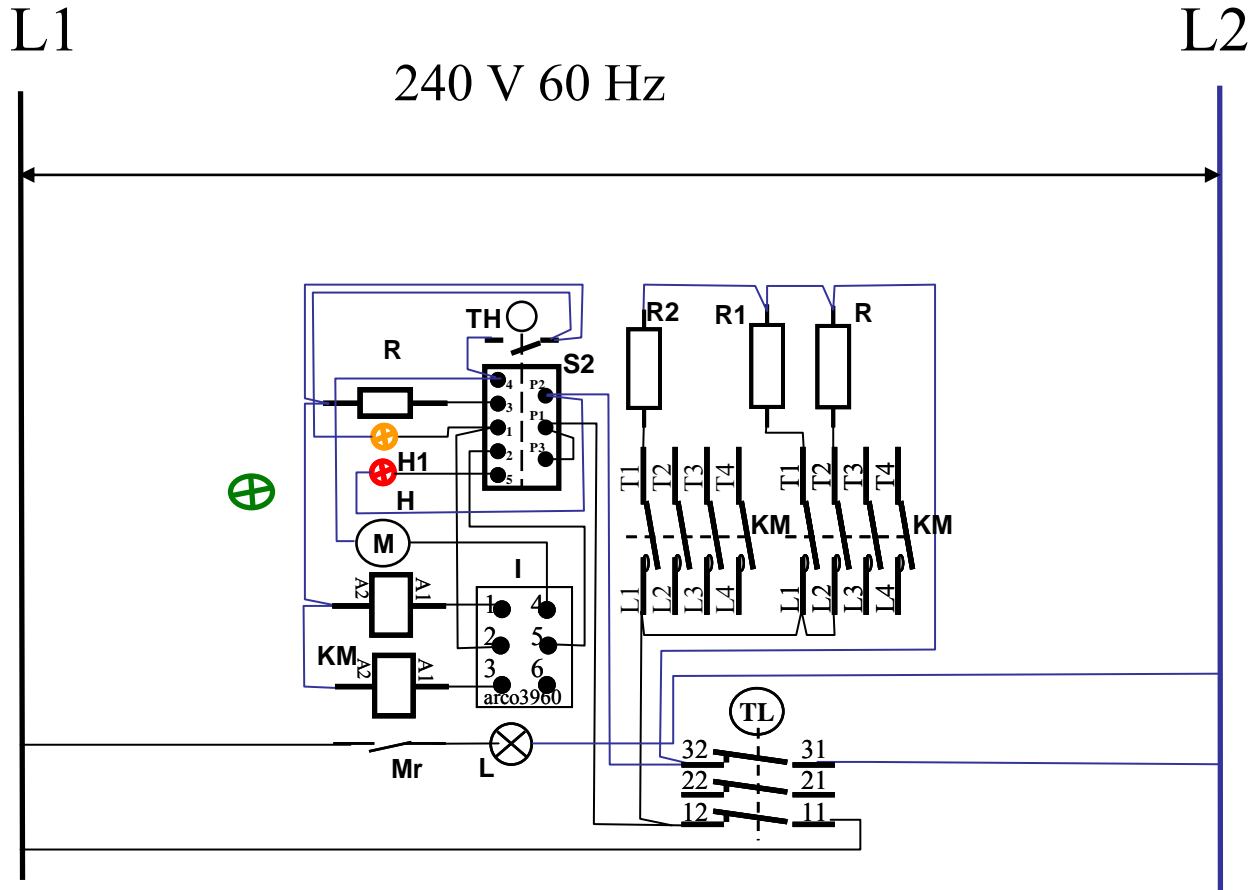
Item n°	Designation	Part number
TH	Thermostat	65.28195
R	Heating element	65.30624
S3	Selector	65.28979
H	Red Lamp	65.231004
H1	Orange Lamp	65.231005
TL	Three pole limiting thermostat	65.39942



INSTALLATION MANUAL

BEAUNE - BUSSY

convection & static electric oven



Item n°	Designation	
TL	Three pole limiting thermostat	65.39942
TH	Oven regulating thermostat	65.224010
KM	Contactor	65.223001
S2	Thermostat switch	65.52194
I	Inverter	65.222012
R	Roof heating element	65.211030
R1	Base heating element	65.211026
R2	Circular heating element 2650 W	65.211028
M	Convection Fan Motor	65.260001
H	Red Lamp	65.231004
H1	Orange Lamp	65.231005
L	Oven Lamp	65.232003
Mr	Microswitch	65.222011